

Pre-Conditioned Air Duct Reels



Pre-Conditioned Air Duct Reels | Nordic Series 6800

Preconditioned Air (PCA) Reels

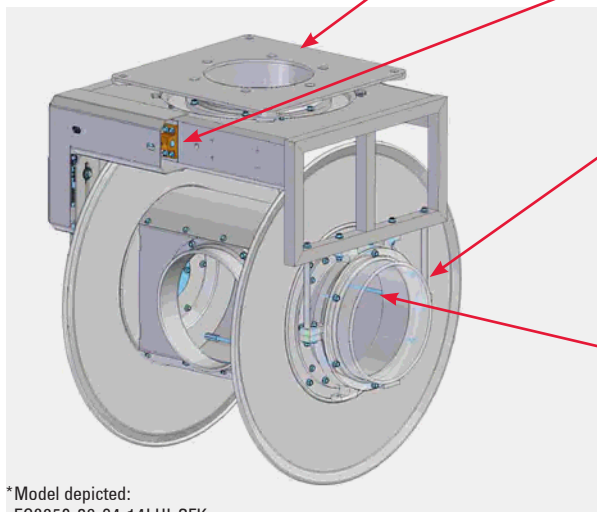
Nordic Series 6800 - 14" I.D.

Reelcraft's PCA reels handle 75' of 14" I.D. preconditioned air ducting and are designed for ergonomic handling of air ducting in airport ground support applications. When properly installed, Reelcraft's PCA reels supply continuous clean preconditioned air to stationed aircraft. Aluminum construction provides superior corrosion resistance at a fraction of the weight. Reelcraft's PCA reels also offer numerous ergonomic options such as a standard clutch and 360° swivel base.

- Essential component for the transfer and dispensing of preconditioned air
- Meets international PCA ducting requirements for the new A-380 Airbus
- Keeps expensive PCA ducting protected and improves safety on the tarmac
- Motorized retraction is standard
- Aluminum construction prevents corrosion in all weather conditions
- PCA reels are sold without ducting
- Controls not included with powered units

Construction

Welded aluminum tubular frame construction and zinc-plated fasteners ensure the reel maintains its structural integrity through heavy use.

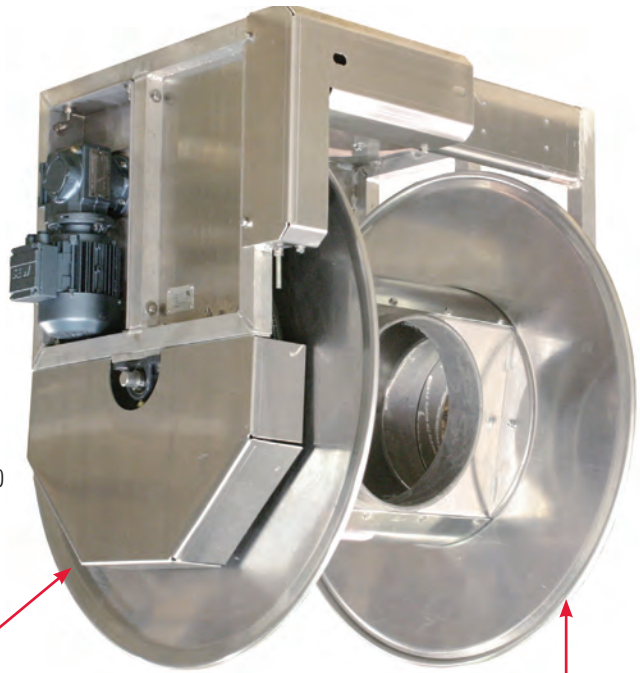


Motor Drive Options

Choose from 50hz, 230/400 volt AC motor or 60hz, 240/480 volt AC motor.

Chain Guard

Chain guards are standard on all models. They promote safety and protect internal working parts.



Heavy Duty Sprocket

Painted steel sprocket is designed for heavy industrial applications.

Oversized Rolled Edge

1/2" rolled edge prevents expensive ducting from being damaged during normal, everyday use.

Swivel Base Option

The swivel base option offers 360° of rotation.

Optional Brake Assembly

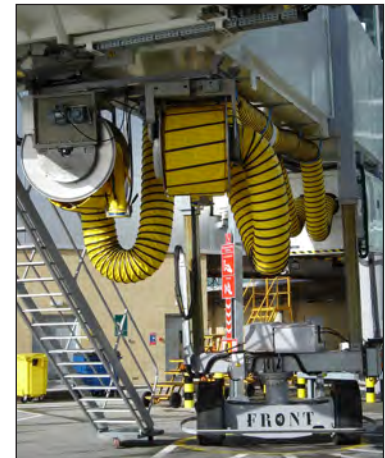
Terminates spool rotation at complete retraction and payout. End stops are easily adjustable and require few tools.

Flow Path

All joints are sealed for maximum air transfer and minimum loss. Special low friction, self-lubricating 14" bearing enables hose to be removed manually and requires minimum maintenance.

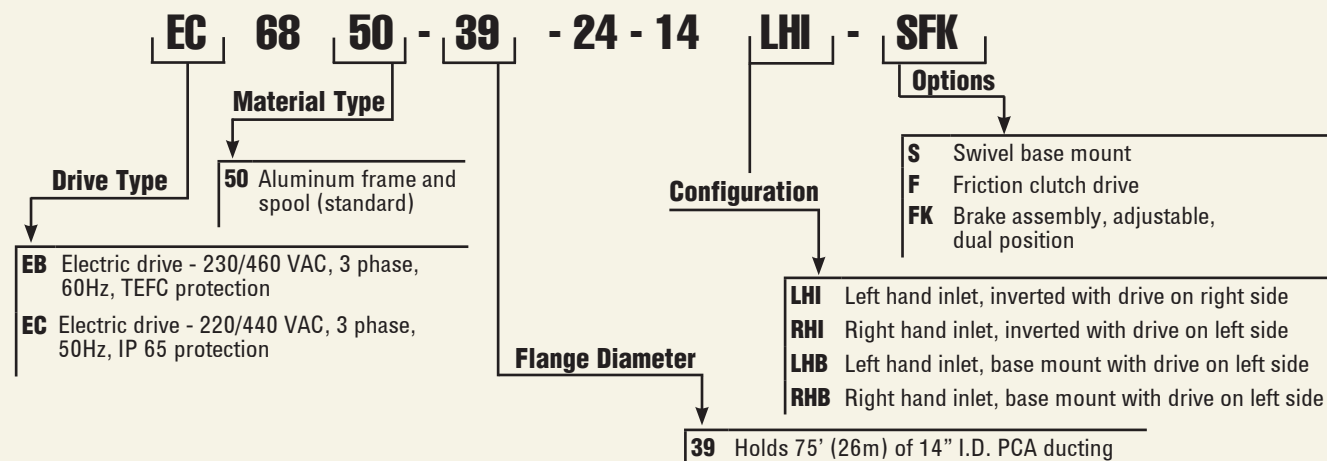
Unitized Tie-Rod Design

Zinc-plated steel tie-rods span from flange to flange to offer superior structural support and ensure the reel does not flex under heavy industrial use.

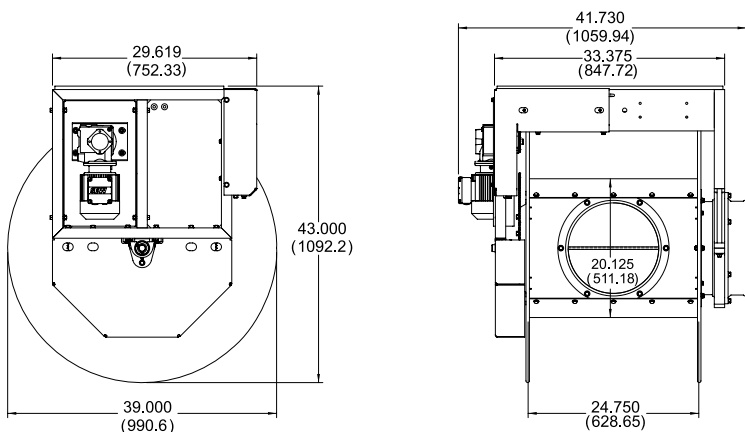


Reelcraft's pre-conditioned air (PCA) reels, mounted on a free spinning swivel base, are installed inverted on airport boarding bridges for the purpose of cooling and/or heating airplane passenger cabins. These manual or powered rewind reels are available with solid or spoked heads. Powered reels are complete with proximity switches and mechanical stop.

Model Number Significance

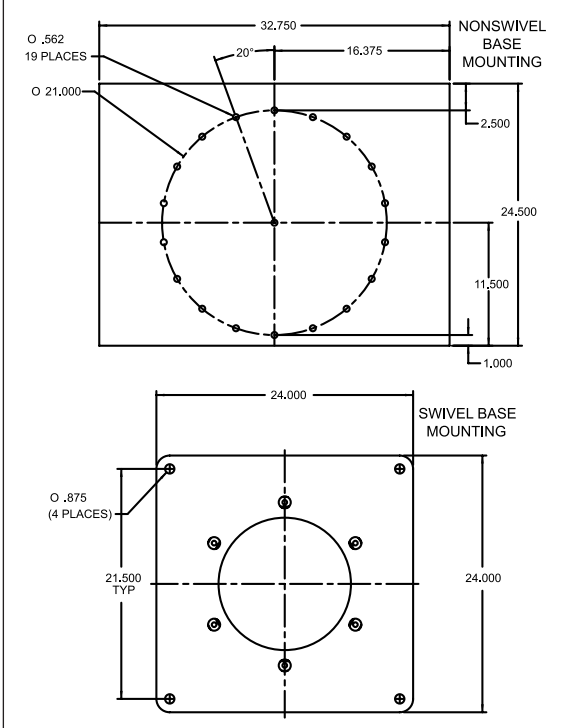


Reel Dimensions



NOTE: It is strongly recommended to consult manufacturer prior to ordering.

Base Mounting Dimensions



Mounting Dimensions

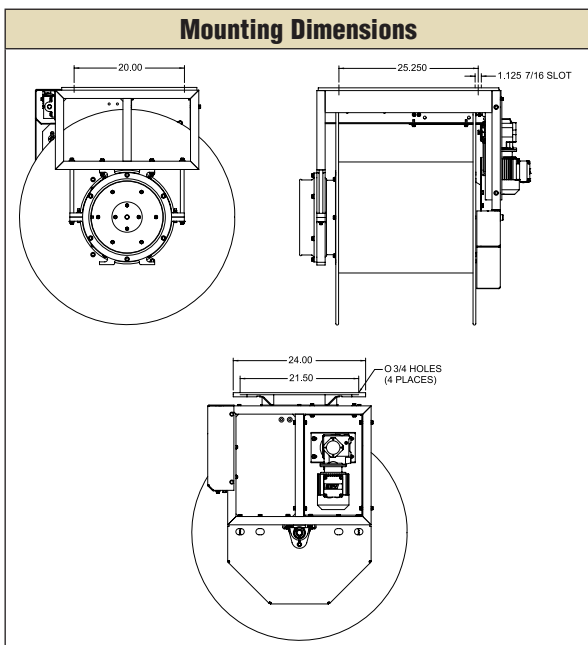


Photo taken at Heathrow, International Airport in London, England

North America and Corporate Headquarters

2842 E. Business Hwy 30
Columbia City, IN 46725

Customer Service: 855-634-9109

Ph: 800-444-3134 • Fax: 800-444-4587

Ph: 260-248-8188 • Fax: 260-248-2605

reelcraft@reelcraft.com

www.reelcraft.com

Latin America and the Middle East

Thompson International, Inc.

P.O. Box 12958, Ft. Wayne, IN 46866

Ph: 260-489-1685 • Fax: 260-489-0203

info@t-i-i.com

www.reelcraft.com/latinamerica

Pacific Rim

P.O. Box 53776, Clark Freeport Zone
Philippines 2023

Ph: +63 (45) 625-6624

Fax: +63 (45) 321-0643

rap@comclark.com

www.reelcraft.com/asia

Europe

Unit 17 • Cronin Courtyard
Weldon South Industrial Estate
Corby • Northamptonshire NN18 8AG
United Kingdom

Ph: +44 (0) 1536 406999

Fax: +44 (0) 1536 406777

europa@reelcraft.com

www.reelcraft.com/europe

China

Reelcraft Changzhou Co., Ltd.

Building C, No. 229 HeHai West Road

Changzhou, Jiangsu, China 213022

Ph: +86 (519) 8512 2391 ext. 8002

Fax: +86 (519) 8512 9309

rco@reelcraftchina.com

www.reelcraftchina.com

Australia

PO Box 6463 BC, Blacktown

NSW 2148, Australia

Ph: +61 (2) 9621 8988

Fax: +61 (2) 9621 7688

sales@recoila.com

www.reelcraft.com