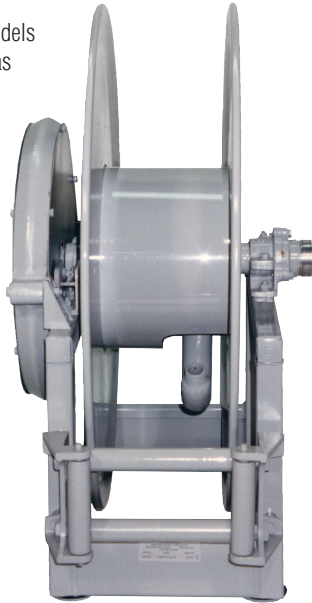


# Large Frame Hose Reels | Series 3100 / 4800

Twin hose models are available as standard.



Nordic Series 4800



## Spring Driven Large Frame Reels Nordic Series 3100 & 4800

1/2", 3/4", 1" or 1 1/2" Fluid Path for 1/2" through 1 1/2" I.D. Hose

**Inlet:** 1/2" up to 1" female/male NPT 90° swivel joint.

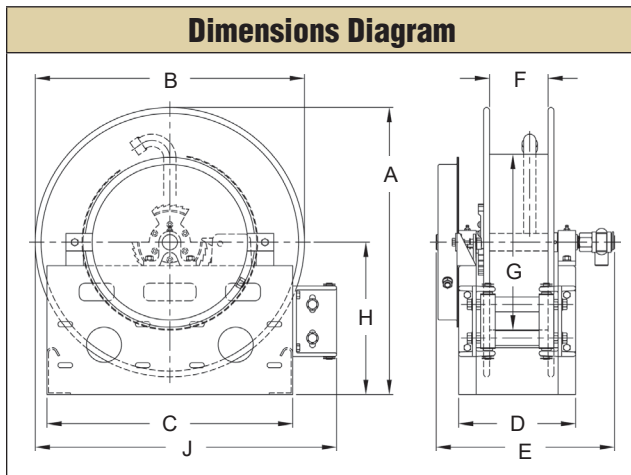
**Gooseneck:** 1/2" up to 1" female/male NPT. **Series 3100** reels handle hose from 1/4" through 1" I.D. **Series 4830** reels handle hose from 1/2" through 1" I.D. Inlet is 1/2" up to 1" female/male NPT 90° swivel joint. Gooseneck is 1/2" up to 1" female/male NPT. **Series 4800** reels handle hose from 1" through 1 1/2" I.D. 2" straight grooved fitting x 1 1/2" NPT female inlet is standard. Gooseneck is 1" to 1 1/2" female/male NPT.

**Roller position:** You must specify roller position BW, SW or TW. If roller position is not specified, reels will be shipped with rollers in position BW, see page 15.

**Series 3100 / 4830** product temperatures from -50 °F to +225 °F and standard pressures to 3000 psi. **Series 4800** product temperatures from -50 °F to +225 °F at standard pressures to 300 psi for 2" and 600 psi for 1 1/2" I.D. hose. Reels to operate at other temperatures or pressures can be furnished at extra cost. Consult manufacturer. The standard color for this series is red or gray.

**Hose stop:** A hose stop should be used to prevent damage to rollers and nozzles and to permit adjustment of free hose length. Hose stops are available at extra cost.

**Note:** Other sizes and/or threads can be furnished for gooseneck when specified.



Hose I.D.		in	1/2	3/4	1	1 1/4	1 1/2	<b>Specification - Hose Capacity and Reel Dimensions</b>																	
Hose O.D.		in	7/8	1 9/32	1 9/16	1 13/16	2 1/16	*20" (508 mm) diameter drum on Model #4830-31-10 for 1/2" and 3/4" hose																	
		mm	22	33	40	46	52	Model	Hose Length							Est. Weight	A	B	C	D	E	F	G	H	J
3101-19-4	ft	30	25	15				90 LB	in	22.5	19	21	9	15.5	4	11.25	13	25							
	m	9	8	5				41 KG	mm	572	483	533	229	394	102	286	330	635							
3101-23-4	ft	60	40	25				93 LB	in	24.5	23	21	9	15.5	4	11.25	13	26							
	m	18	12	8				42 KG	mm	622	584	533	229	394	102	286	330	660							
3101-23-6	ft	100	65	60				95 LB	in	24.5	23	21	11	17.5	6	11.25	13	26							
	m	30	20	18				43 KG	mm	622	584	533	279	445	152	286	330	660							
3101-23-8	ft	100	65	60				97 LB	in	24.5	23	21	13	19.5	8	11.25	13	26							
	m	30	20	18				44 KG	mm	622	584	533	330	495	203	286	330	660							
4830-31-5X	ft	75	75	65				122 LB	in	33	31	30	10.5	17	5.5	20	17.5	34.5							
	m	23	23	20				55 KG	mm	838	787	762	267	432	140	508	445	876							
4830-31-8	ft	80	80	90				125 LB	in	33	31	30	13	19.5	8	15	17.5	34.5							
	m	24	24	27				57 KG	mm	838	787	762	330	495	203	381	445	876							
4830-31-10	ft	*90	*100	100				128 LB	in	33	31	30	15	21.5	10	*15	17.5	34.5							
	m	*27	*30	30				58 KG	mm	838	787	762	381	546	254	*381	445	876							
4800-31-6	ft			70	50	40		122 LB	in	33	31	30	11.44	17	6	11.25	17.5	34.5							
	m			21	15	12		55 KG	mm	838	787	762	291	432	152	286	445	876							
4800-31-8	ft			75	75	50		125 LB	in	33	31	30	13.44	19	8	11.25	17.5	34.5							
	m			23	23	15		57 KG	mm	838	787	762	341	483	203	286	445	876							

**Prop 65: ⚠ WARNING:**  
Cancer and Reproductive Harm - www.P65Warnings.ca.gov.

Model numbers are representative.  
Final part number assigned upon quote.