

General Use Hand Crank Hose Reels | Series C

Light Industrial Hand Crank Hose Reels

Reelcraft's Series C hose reels are designed for lighter-duty applications that require longer lengths of hose. The Series C incorporates a balanced brass swivel, brass inlet, lighter weight components and forward-thinking design. Reels in this family benefit from a tough, corrosion-resistant powder coat paint. All reels feature a drag break to prevent de-spooling when reel is not in use.

Series CU Air/Water - 3/8", 1/2" I.D.

Series CU features our most rigid base design in this series and supports the reel on either side.

Series CT Air/Water/Pressure Wash - 3/8", 1/2" I.D.

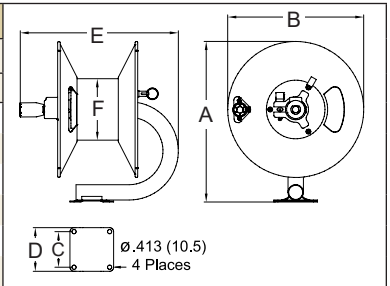
The Series CT frame features a tubular design. The inlet is fed through the center of the tube frame, protecting the inlet hose and creating a cleaner look over all.

Series CM Pressure Wash - 3/8" I.D.

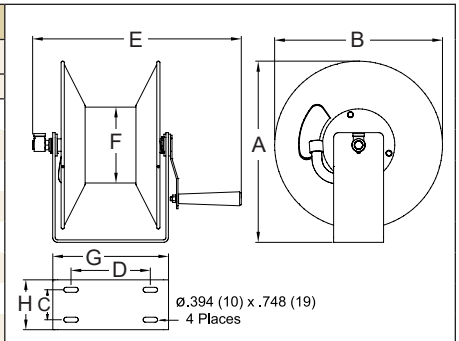
Series CM reels offer the greatest amount of flexibility in this series by featuring a modular mounting platform. Reelcraft can configure custom mounts upon request or the customer may choose to supply their own.



Dimensions - Series CT						
	5		6		7	
	in	mm	in	mm	in	mm
A	15 ⁵ / ₈	397	15 ⁵ / ₈	397	19 ⁷ / ₈	505
B	13 ¹ / ₄	337	13 ¹ / ₄	337	16	406
C	3 ¹ / ₂	89	3 ¹ / ₂	89	5	127
D	4 ¹ / ₄	108	4 ¹ / ₄	108	6	152
E	15 ¹ / ₂	394	19 ¹ / ₂	495	19 ⁷ / ₈	505
F	6	152	6	152	6	152



Dimensions - Series CU								
	1		2		3		4	
	in	mm	in	mm	in	mm	in	mm
A	11 ¹ / ₂	292	11 ¹ / ₂	292	14 ³ / ₈	365	14 ³ / ₈	365
B	10 ¹ / ₂	267	10 ¹ / ₂	267	13 ¹ / ₄	337	13 ¹ / ₄	337
C	2	51	2	51	2 ³ / ₈	60	2 ³ / ₈	60
D	6 ⁵ / ₈	168	11 ¹ / ₈	283	6 ¹ / ₄	159	10 ¹ / ₄	260
E	16 ³ / ₄	425	21 ¹ / ₈	537	16 ³ / ₄	425	20 ⁷ / ₈	530
F	4	102	4	102	6	152	6	152
G	9 ³ / ₈	238	13 ⁷ / ₈	352	9 ¹ / ₄	235	13 ¹ / ₄	337
H	3 ³ / ₈	86	3 ³ / ₈	86	4	102	4	102



Model w/o hose	Shipping Weight		Hose I.D.		Hose O.D.		Hose Length		Pressure		NPT(F) Reel Outlet	NPT(F) Reel Inlet	Size Index #
	lbs	kg	in	mm	in	mm	ft	m	psi	bar	in	in	
Low Pressure Air/Water Reels Maximum temperature 150 °F (65 °C)													
CU6050LN	12	5	3/8	10	.600	15	50	15	300	21	3/8	3/8	1
CU6100LN	16	7	3/8	10	.600	15	100	30	300	21	3/8	3/8	2
CU8050LN	13	6	1/2	13	.750	19	50	15	300	21	1/2	1/2	3
CU8100LN	20	9	1/2	13	.750	19	100	30	300	21	1/2	1/2	4
CT6050LN	13	6	3/8	10	.600	15	50	15	300	21	1/2	1/2	5
CT6100LN	17	7.5	3/8	10	.600	15	100	30	300	21	1/2	1/2	6
CT8050LN	13	6	1/2	13	.750	19	50	15	300	21	1/2	1/2	5
CT8100LN	17	7.5	1/2	13	.750	19	100	30	300	21	1/2	1/2	6
High Pressure Wash Reels Maximum temperature 210 °F (99 °C)													
CT6050HN	13	6	3/8	10	.730	19	50	15	5000	345	3/8	1/2	5
CT6100HN	17	7.5	3/8	10	.730	19	100	30	5000	345	3/8	1/2	6
CTJ6200HN	28	13	3/8	10	.730	19	200	61	5000	345	3/8	1/2	7
CM6050HN	14	6.5	3/8	10	.730	19	50	15	5000	345	3/8	1/2 (M)	8
CM6100HN	18	8	3/8	10	.730	19	100	30	5000	345	3/8	1/2 (M)	9

Reels are supplied without hose; assemblies will be quoted upon request.

Dimensions - Series CM				
	8		9	
	in	mm	in	mm
B	14 ³ / ₈	365	18 ³ / ₈	467
C	2 ¹ / ₂	64	2 ¹ / ₂	64
D	3 ¹ / ₂	89	3 ¹ / ₂	89
E	16 ³ / ₈	416	20 ¹ / ₂	521

Prop 65: ⚠ WARNING:
Cancer and Reproductive Harm
www.P65Warnings.ca.gov.

Models listed with an icon can ship same day upon request when the order is received by 1:00 PM Eastern Time for quantities of 10 or fewer.

Indiana Warehouse Indiana & California Warehouses California Warehouse Canadian Warehouse

Customer Service: 1.855.634.9109
All Other Calls: 1.800.444.3134

REELCRAFT®