

## Heavy Duty Large Frame Reels Nordic Series 3900

1 1/2" fluid path for 1" through 1 1/2" I.D. hose

**Rewind:** Gear-drive rewind or chain and sprocket drive powered by A.C. or D.C. electric motor, compressed air motor or hydraulic motor.

**Inlet:** 2" straight grooved fitting with 1 1/2" female NPT straight swivel joint is standard. 2" 90° grooved fitting with 1 1/2" NPT female available at extra cost.

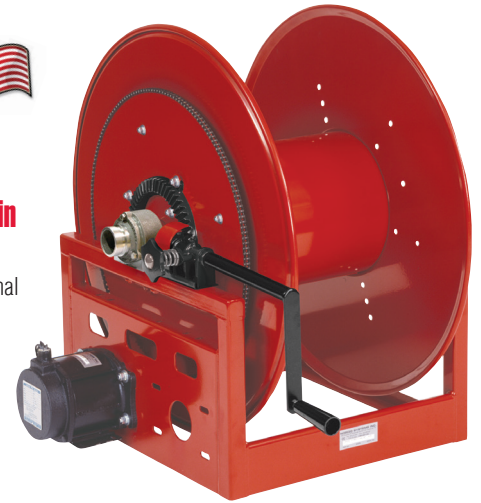
**Gooseneck:** 1", 1 1/4" and 1 1/2" female/male NPT outlet. Other sizes and/or threads can be furnished and must be specified.

Add 12" to B dimension when crank is in rewind position.  
The standard color for this series is red or gray.

Made in USA 

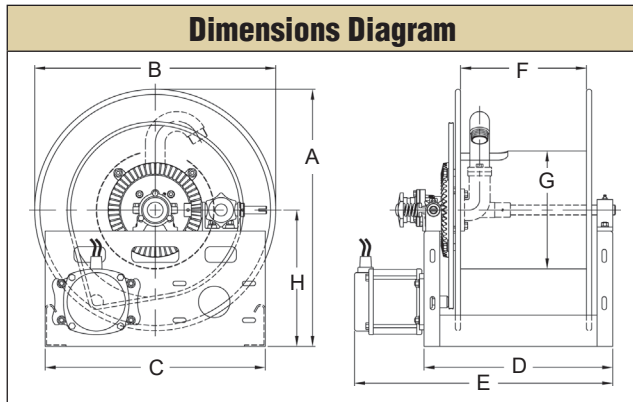
1/2" pitch chain now standard

Shown with optional bevel crank.



**Built to order, not returnable.**

Standard seals maximum temperature 174 °F (79 °C) and minimum temperature -20 °F (-29 °C). Extreme temperature seals maximum temperature 400 °F (204 °C) and minimum temperature -50 °F (-45 °C) and standard pressures to 600 psi. Other temperatures or pressures can be furnished at extra cost, consult manufacturer.



**Note:** Weights shown in chart are for crank rewind models.

Add these amounts and model number prefix for power rewind models.

Prefix	Type	LB / KG
EP	Electric	42 / 19
A	Air	26 / 12
H	Hyd	26 / 12

Hose I.D.	in mm	Hose Length				Est. Weight	Specification - Hose Capacity and Reel Dimensions														
		1	1 1/4	1 3/8	1 1/2		A	B CRK	B ELC	B AIR	B HYD	C	D	E CRK	E ELC	E AIR	E HYD	F	G	H	
3900-19-16	ft	60	50	50	45	90 LB	in	22.5	21	21	21	21	21	22	26	29	28	28	16	11.25	13
	m	18	15	15	14	41 KG	mm	572	533	533	533	533	533	559	660	737	711	711	406	286	330
3900-19-20	ft	70	65	60	55	93 LB	in	22.5	21	21	21	21	21	26	30	33	32	32	20	11.25	13
	m	21	20	18	17	42 KG	mm	572	533	533	533	533	533	660	762	838	813	813	508	286	330
3900-23-12	ft	100	60	60	50	87 LB	in	24.5	23	23	23	23	21	18	22	25	24	24	12	11.25	13
	m	30	18	18	15	39 KG	mm	622	584	584	584	584	533	457	559	635	610	610	305	286	330
3900-23-18	ft	155	90	95	85	93 LB	in	24.5	23	23	23	23	21	24	28	31	30	30	18	11.25	13
	m	47	27	29	26	42 KG	mm	622	584	584	584	584	533	610	711	787	762	762	457	286	330
3900-23-20	ft	170	110	105	95	95 LB	in	24.5	23	23	23	23	21	26	30	33	32	32	20	11.25	13
	m	52	34	32	29	42 KG	mm	622	584	584	584	584	533	660	762	838	813	813	508	286	330
3900-23-26	ft	225	140	135	125	100 LB	in	24.5	23	23	23	23	21	32	36	39	38	38	26	11.25	13
	m	69	43	41	38	45 KG	mm	622	584	584	584	584	533	813	914	991	965	965	660	286	330
3900-23-28	ft	240	150	145	135	103 LB	in	24.5	23	23	23	23	21	34	38	41	40	40	28	11.25	13
	m	73	46	44	41	47 KG	mm	622	584	584	584	584	533	864	965	1041	1016	1016	711	286	330
3900-23-36	ft	325	190	185	180	111 LB	in	24.5	23	23	23	23	21	42	46	49	48	48	36	11.25	13
	m	99	58	56	55	50 KG	mm	622	584	584	584	584	533	1067	1168	1245	1219	1219	914	286	330
3900-25-12	ft	135	90	60	50	89 LB	in	26.5	25	25	25	25	21	18	22	25	24	24	12	11.25	14
	m	41	27	18	15	40 KG	mm	673	635	635	635	635	635	457	559	635	610	610	305	286	356
3900-25-20	ft	230	160	105	95	97 LB	in	26.5	25	25	25	25	21	26	30	33	32	32	20	11.25	14
	m	70	49	32	29	44 KG	mm	673	635	635	635	635	533	660	762	838	813	813	508	286	356
3900-31-12	ft	215	155	125	105	92 LB	in	32.5	31	31	31	31	24	18	22	25	24	24	12	11.25	17
	m	66	47	38	32	42 KG	mm	826	787	787	787	787	610	457	559	635	610	610	305	286	432
3900-31-16	ft	305	210	170	150	96 LB	in	32.5	31	31	31	31	24	22	26	29	28	28	16	11.25	17
	m	93	64	52	46	44 KG	mm	826	787	787	787	787	610	559	660	737	711	711	406	286	432
3900-31-20	ft	365	290	210	190	100 LB	in	32.5	31	31	31	31	24	26	30	33	32	32	20	11.25	17
	m	111	88	64	58	45 KG	mm	826	787	787	787	787	610	660	762	838	813	813	508	286	432

Reelcraft's reel configurator can quickly and accurately quote standard large frame reels. Refer to page 27 for more information. Refer to page 28 to build a representative model number. Final part number assigned upon quote.

**Prop 65:**  **WARNING:**  
Cancer and Reproductive Harm - www.P65Warnings.ca.gov.