



## Heavy Duty Single Wrap Reels Petroleum / Aviation Fuel Service

1 1/2", 2" or 3" fluid path for 1 3/8" through 3" I.D. hose

**Rewind:** Chain and sprocket drive powered by A.C. or D.C. electric motor, compressed air motor or hydraulic motor.

**Inlet:** 2" grooved fitting is standard for 1" through 2" ID hose. 3" grooved fitting is standard for 2 1/2" and 3" ID hose. 1 1/2", 2" and 3" NPT or BSPP available. 90° inlets available.

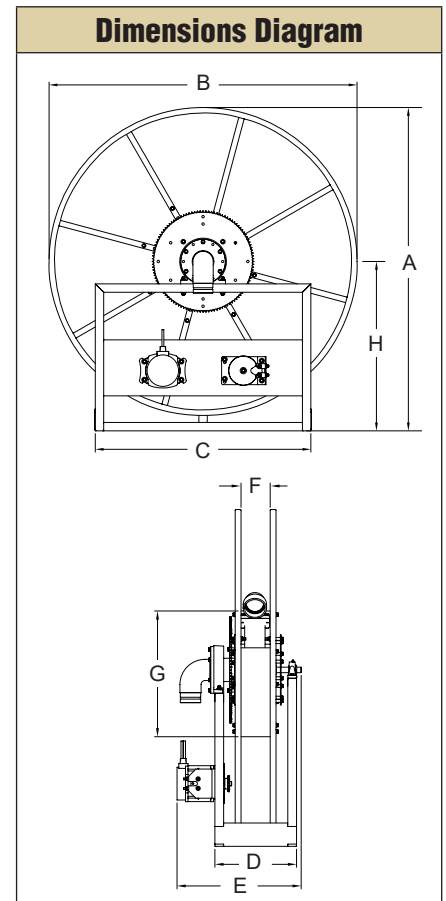
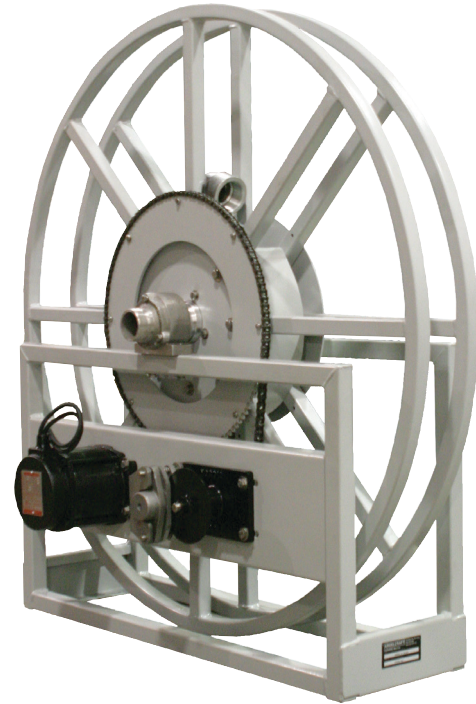
**Gooseneck:** 1 1/2", 2" and 3" NPT or BSPP. Specify male or female threads for gooseneck.

**Brakes and locks:** Air operated caliper brake and idler assembly is standard. Manual friction brake optional.

**Materials:** Standard frame and spool assembly are made of heavy duty steel construction. Also available in aluminum. The standard color for this series is red or gray.

**Operating pressure:** 300 psi maximum. Reels to operate at other pressure ratings available at extra cost. Consult manufacturer.

**Operating temperatures:** Maximum 400 °F (204 °C) / minimum -50 °F (-46 °C). Reels that are to operate at other temperature ratings are available at extra cost, consult manufacturer.



Hose I.D.	in	1 3/8	1 1/2	2	2 1/2	3					
	mm	35	38	51	64	76					
Hose O.D.	in	2.000	2.063	2.563	3.063	3.750					
	mm	51	52	65	81	95					
Model	Hose Length							A	B	C	H
6000-47	ft	55	50	30	25	20	in	48.5	47	38.5	25
	m	17	15	9	8	6	mm	1232	1194	978	635
6000-55	ft	80	75	50	40	35	in	55.75	55	38.5	28.25
	m	24	23	15	12	11	mm	1416	1397	978	718
6000-62	ft	100	100	70	50	50	in	62.75	62	38.5	31.75
	m	30	30	21	15	15	mm	1594	1575	978	806
6000-68	ft	125	120	85	70	60	in	68.75	68	38.5	34.75
	m	38	37	26	21	18	mm	1746	1727	978	883
6000-72	ft	150	140	100	80	70	in	72.75	72	38.5	36.75
	m	46	43	30	24	21	mm	1848	1829	978	933

Hose I.D.	Dimensions							
	D		E		F		G*	
	in	mm	in	mm	in	mm	in	mm
1 3/8"	12	305	18.5	470	2.5	64	18	457
1 1/2"	12	305	18.5	470	2.5	64	18	457
2"	12	305	18.5	470	3.5	89	24	610
2 1/2"	13	330	19.5	495	3.5	89	24	610
3"	14	356	20.5	521	4.5	114	24	610

\*Drum diameter conforms to API 1529 Appendix A.

Model numbers are representative.  
Final part number assigned upon quote.

**Built to order, not returnable.**

**Prop 65:** ⚠ **WARNING:**  
Cancer and Reproductive Harm - [www.P65Warnings.ca.gov](http://www.P65Warnings.ca.gov).