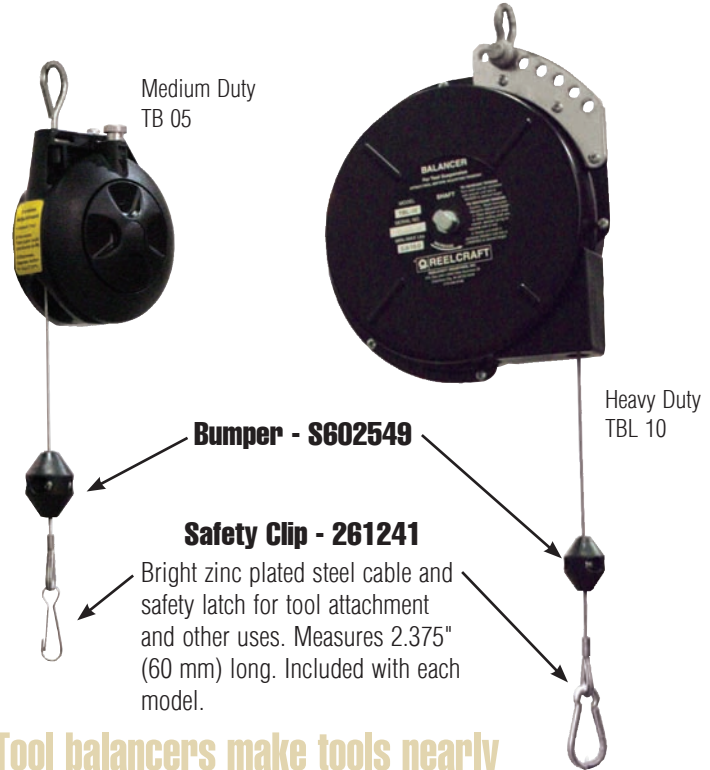


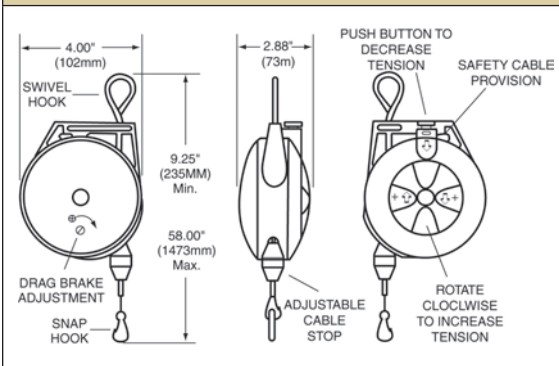
## Top Five Benefits

1. Balances the weight of assembly tools, making them nearly weightless
2. Reduces operator fatigue
3. Improves safety and ergonomics
4. Increases productivity by keeping tools positioned for immediate use with minimal operator motion
5. Reduces tool damage by preventing tools from being accidentally dropped

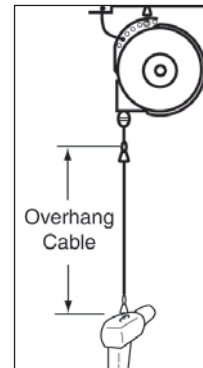
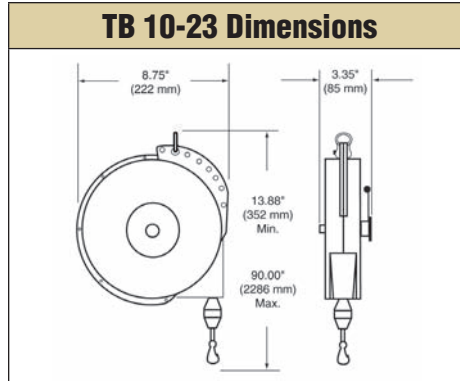


**Tool balancers make tools nearly weightless, reduce fatigue**

## TB 1-5 Dimensions



## TB 10-23 Dimensions



Model	Min - Max Load		Cable Length*		Shipping Weight	
	lbs	kg	ft	m	lbs	kg
<b>TB 01</b>	0.0 - 1.5	0.0 - 0.7	6	1.8	1.0	0.5
<b>TB 03</b>	1.5 - 3.0	0.7 - 1.4	6	1.8	1.0	0.5
<b>TB 05</b>	3.0 - 5.0	1.4 - 2.3	6	1.8	1.5	1

\*Cable lengths listed are "active" or "working" cable. Safety tool clip and cable stop included. Maximum temperature 150 °F (65 °C).

Model	Min - Max Load		Cable Length*		Shipping Weight		Ratchet Lock
	lbs	kg	ft	m	lbs	kg	
<b>Constant Pull Reels</b> - may be adjusted to balance through 6-18 in (152-457 mm) range.							
<b>TB 10</b>	5.0 - 10	2.3 - 4.5	8	2.4	9	4	NO
<b>TB 12</b>	8.0 - 12	3.6 - 5.4	8	2.4	10	4.5	NO
<b>TB 15</b>	10 - 15	4.5 - 6.8	8	2.4	10	4.5	NO
<b>TB 23</b>	16 - 23	7.2 - 10.4	8	2.4	10	4.5	NO
<b>Reels with Ratchet Lock</b> - retract tool upward when manually released.							
<b>TBL 10</b>	5.0 - 10	2.3 - 4.5	8	2.4	9	4	YES
<b>TBL 12</b>	8.0 - 12	3.6 - 5.4	8	2.4	10	4.5	YES
<b>TBL 15</b>	10 - 15	4.5 - 6.8	8	2.4	10	4.5	YES
<b>TBL 23</b>	16 - 23	7.2 - 10.4	8	2.4	10	4.5	YES

\*Cable lengths listed are "active" or "working" cable. Safety tool clip and cable stop included. Maximum temperature 150 °F (65 °C).

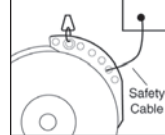
## Optional Accessories

Cables can be combined for added length

Overhang Cable	
Model No.	Length
<b>600605-3</b>	3.0 ft / 91.5 cm
<b>600605-5</b>	5.0 ft / 152.4 cm
Safety Cable/Chain	
<b>600603*</b>	1.0 ft / 30.5 cm
<b>600604**</b>	1.0 ft / 30.5 cm

\*Nylon covered steel cable (1 to 6 lbs models)

\*\*Steel link chain (10 to 23 lbs models)



Strongly recommended, secondary steel cable or steel link chain. Prevents balancer from accidental fall. Balancers have extra holes for cable or chain.

Nylon covered steel cable with safety clip. Brings tools closer to work area without unwinding cable from reel or mounting reel at lower height.

Models listed with an icon can ship same day upon request when the order is received by 11:30 AM Eastern Time for quantities of 10 or fewer.

Indiana Warehouse

Indiana & California Warehouses

California Warehouse

Canadian Warehouse