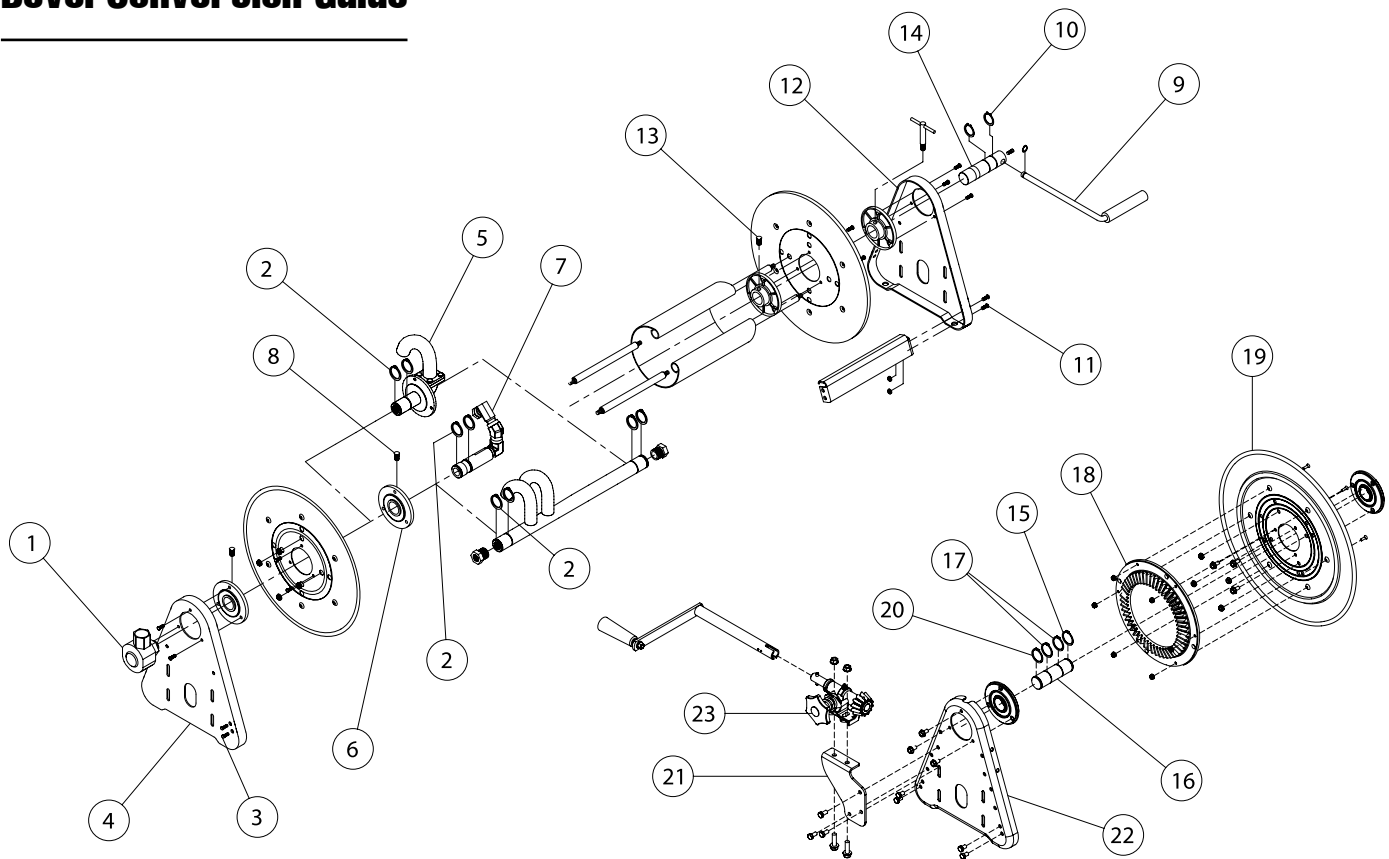


Operating Instructions

Series 30000 Bevel Conversion Guide



Installation Instructions

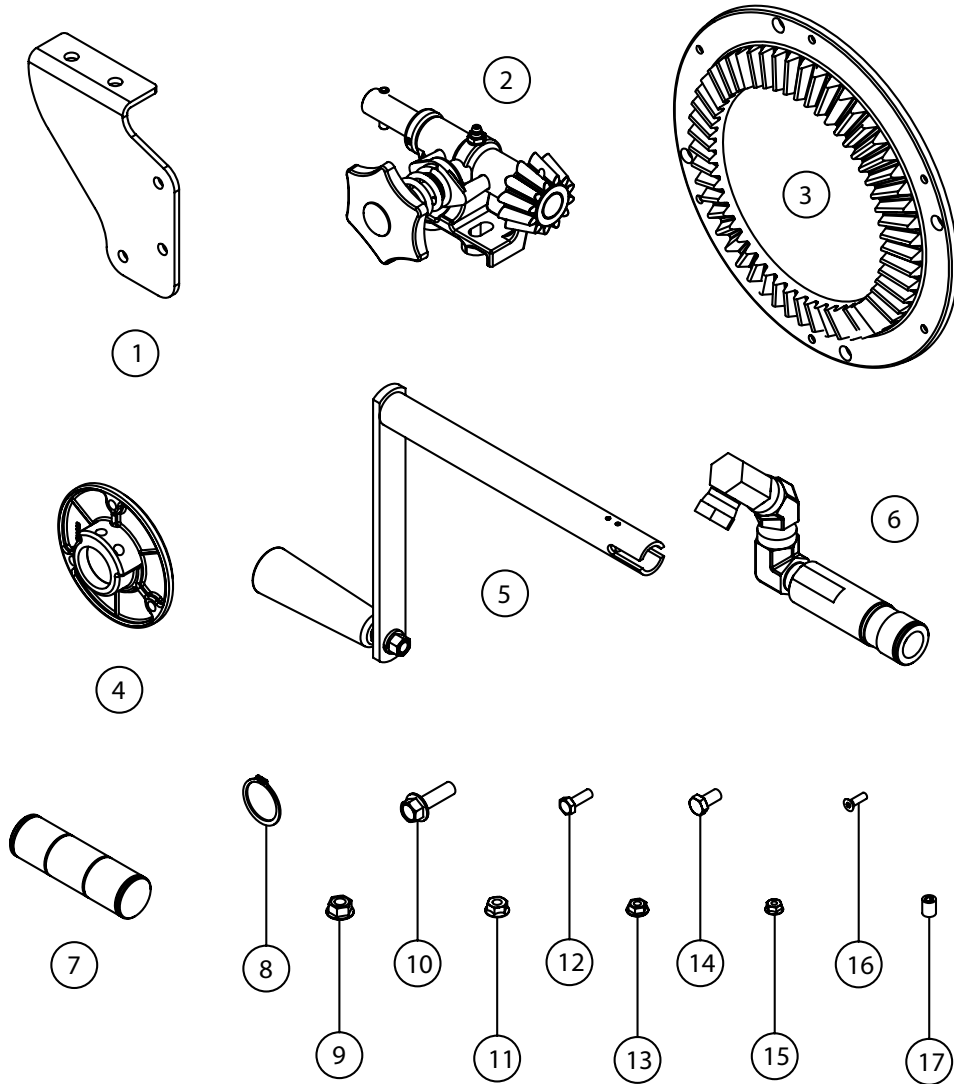
Inlet side:

1. Remove swivel (1) and snap ring (2).
2. Remove four bolts (3) and pull side frame (4) away from reel.
3. Remove the existing fluid path (5) by removing the three bolts that hold it on.
4. Replace the fluid path (5) with a hub and bushing assembly (6).
5. Slide the replacement fluid path (7) through the hub and bushing assembly (6) and temporarily fix it in place with the set screw provided (8).
6. Add a snap ring to the second to last groove on the end of the fluid path.
7. Reattach side frame onto reel by reversing steps 1 and 2. Note: the set screw securing the fluid path (7) to the hub and bushing assembly (6) may need to be loosened to allow the fluid path to adjust to the proper position necessary to attach the side frame.
8. Once the side frame is in position and secure, tighten the set screw (8), securing the fluid path to the hub and bushing assembly.
9. Replace swivel on the end of the fluid path (use pipe sealant or Teflon tape for a leak free connection).

Crank Side:

1. Remove crank handle (9).
2. Remove snap ring (10) and four bolts (11) and pull side frame (12) away from reel.
3. Remove set screw (13) and support shaft (14).
4. Add one snap ring (15) to the end of the bevel crank support shaft (16).
5. Replace support shaft (14) with bevel crank support shaft (16).
6. Add additional snap rings (17) to bevel crank support shaft.
7. Attach bevel gear (18) to flange (19) as shown.
8. Reattach side frame onto reel by reversing step 2. Add the last snap ring to the end of the shaft (20).
9. Attach crank support (21) to side frame (22).
10. Attach hand rewind assembly (23) to crank support (21).
11. Check alignment of gears and ensure there is a proper mesh between the pinion and the bevel gears.

Form# 1065-700 Rev: 5/2013



Item #	Part #	# Req.	Description	Item #	Part #	# Req.	Description
1	262344-35	1	Crank Support	10	S44-6	2	Machine Screw
2	S390843-2-ANZ	1	Hand Rewind Assembly	11	300107	3	Lock Nut
3	S323058M-ANZ	1	Bevel Gear	12	S2-43	3	Hex Cap Screw
4	S600640	1	Hub and Bushing Assembly	13	S281-4	3	Lock Nut
5	S390838-10-35	1	Crank and Handle Assembly	14	S2-52	3	Hex Cap Screw
6	(See Table B)	1	Inlet Shaft Assembly	15	S79-3	6	Lock Nut
7	261102	1	Support Shaft	16	S27-108	6	Cap Screw
8	300007	2	Snap Ring	17	300006	1	Set Screw
9	S281-6	2	Lock Nut				

Table B		
Kit No.	Inlet Size	(6) Inlet Shaft Assembly
S600718-1	1/2" NPT	600523
S600718-2	3/4" NPT	600524
S600718-3	3/4" BSPT	600998