

# New Product Announcement | High Capacity Hose Reels

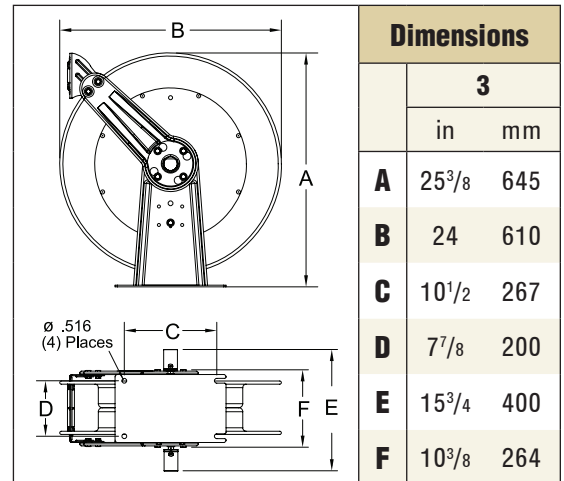
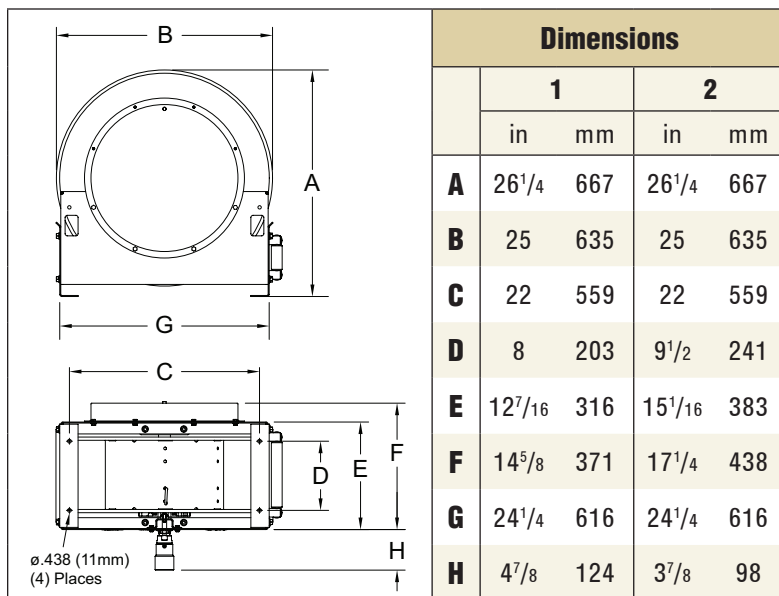
## Heavy Duty Spring Retractable Hose Reels Series G9000 / D80000

Reelcraft's new Series G9000 hose reels are designed to be compact and allow for longer lengths of larger diameter hose. The redesigned gooseneck can be removed from the reel for easier hose attachment. An external drive spring allows for convenient access to the spring components and improved servicing of the reel. The roller bearing inside of the pillow block produces a smoother spool rotation and easier operation. The Series D80000 dual pedestal base and guide arm design is structurally reinforced. The guide arm is field adjustable for wall, ceiling, or truck mounting positions.

**NEW!**



G9300 OMPBW



Model without hose & bumper	Shipping Weight		Hose I.D.		Hose O.D.		Hose Length		Max Pressure*		NPT(F) Reel Outlet	NPT(F) Reel Inlet	Size Index #
	lbs	kg	in	mm	in	mm	ft	m	psi	bar	in	in	
<b>Low Pressure Air/Water Hose Reels</b> Maximum temperature 150 °F (65 °C) *Maximum working pressure at 70 °F (20 °C)													
G9600 OLPBW	157	71	1 1/2	38	2.000	51	50	15	600	41	1 1/2	1 1/2	2
<b>Medium Pressure Oil Hose Reels</b> Maximum temperature 210 °F (99 °C)													
G9300 OMPBW	160	73	3/4	19	1.188	30	75	23	3000	207	1	3/4	1
G9400 OMPBW	159	72	1	25	1.480	38	75	23	3000	207	1	1	1

Model with hose & bumper	Shipping Weight		Hose I.D.		Hose O.D.		Hose Length		Max Pressure		NPT(F) Reel Outlet	NPT(F) Reel Inlet	Model without hose & bumper	Shipping Weight		Max Pressure	Size Index #
	lbs	kg	in	mm	in	mm	ft	m	psi	bar	in	in		lbs	kg		
<b>Medium Pressure Oil Hose Reels</b> Maximum temperature 210 °F (99 °C)																	
D84050 OMP	122	55	1 25	1.40	36	50	15	1275	88	1	1	D84000 OMP	86	39	1500	103	3

\*\*Maximum hose roller guide opening is 1.625".



D84000 OMP

Reelcraft Industries is  
**ISO 9001:2008**  
Certified Since 1996