

New Product Announcement | Series 7000

Clean Air Hose Reel Series 7000

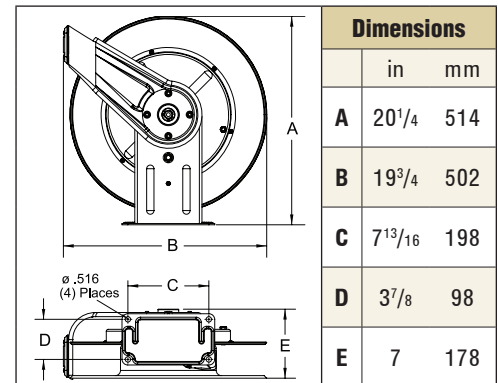
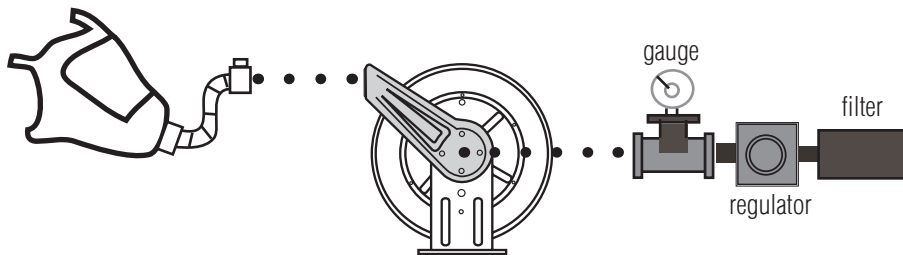
Reelcraft's Series 7000 is now available as a safe and efficient respiratory component. It features strength and reliability as with every other Series 7000, and in addition the fluid path is non-corrosive stainless steel. Reelcraft's 7800 OLB21 clean air reel is designed to reduce the operator's burden of managing long lengths of hose. When the reel is not in use, expensive respiratory hoses are stored up and out of harms way. The reel holds 50' of 1/2" I.D. neoprene hose.

Benefits

- **Safety** - Reel stores hoses up and out of the way when not in use, reducing possibility of slips, trips, and falls.
- **Strength** - Base and guide arm are made from heavy gauge steel and robotically welded for superior strength by design.
- **Versatility** - Multi-positional guide arm facilitates ceiling, wall or floor mount and adjusts with the removal/repositioning of four bolts.

Related Products

Reelcraft offers a complete line of over 2,500 hose, cord and cable reels. For a complete product listing visit us online at www.reelcraft.com or call toll free 800-444-3134.



Accessories



180° Mounting
Bracket - #600626



340° Pivot
Base - #600608



Hose Bumper
#1-HR1004-3

Model without hose	Shipping Weight		Pressure		Hose I.D.		Hose O.D.		Hose Length	
	lbs	kg	psi	bar	in	mm	in	mm	ft	m
7800 OLB21	43	20	500	35	1/2	13	7/8	22	50	15

NOTE: A flexible hose connection must be used between the hose reel inlet and the source of supply to prevent possible misalignment and binding. Recommended neoprene hose should be MSA part # 455022 or equivalent. For MSA information call 1-800-MSA-2222.

SPECIFICATIONS

- Maximum pressure 500 psi
- Maximum temperature 210° F (99° C)
- Standard finish is blue
- Corrosion resistant baked-on powder coat finish
- Stainless steel, full-flow shaft and swivel
- Fluid path is sterilized before assembly

