

New Product Announcement | Series V

Exhaust Hose Reels Series V

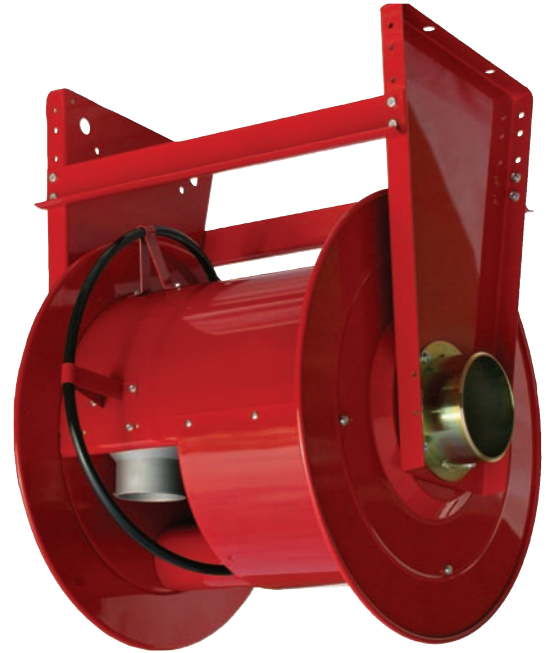
Reelcraft's exhaust reels conveniently store lengths of large diameter exhaust hose. Designed to divert hazardous carbon monoxide gasses away from the workplace, these industrious reels are spring retractable and feature a latching mechanism that maintains the desired working length of hose.

Benefits

- **Safety** - Proper installation eliminates hazardous carbon monoxide gasses in the workplace.
- **Dependable** - Reel features two high quality industrial strength carbon drive springs to ensure that hose retracts every time.
- **Versatility** - Reel may be mounted from the ceiling, wall, and/or floor.
- **Corrosion Resistance** - Components are individually powder coated providing excellent resistance against the environment.

Related Products

Reelcraft offers a comprehensive line of hose, cord and cable reels for almost every application. For more information visit us online at www.reelcraft.com or call toll free 800-444-3134.



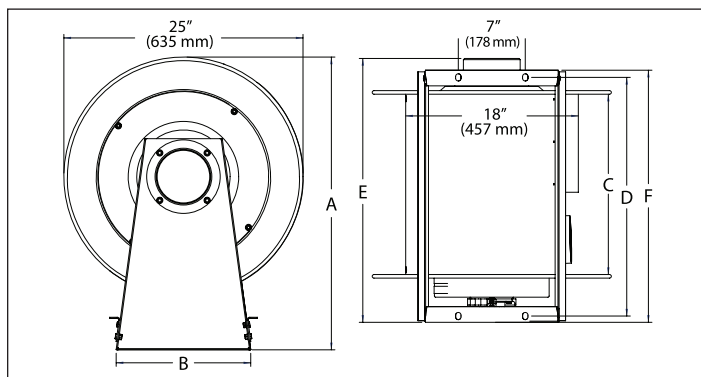
Model shown:
V528-02-01-00

NOTE: Exhaust reels and complete air ventilation systems are available through our air ventilation marketing partners. For a complete list of our air ventilation partners, contact customer service.

Reelcraft Industries is
ISO 9001:2008
Certified Since 1996



Model without Hose	Length		Weight		Model without Hose	Length		Weight		Model without Hose	Length		Weight		Dimensions					
	ft	m	lbs	kg		ft	m	lbs	kg		ft	m	lbs	kg	A	B	C	D	E	F
V419-02-01-00	22	7	112	51	V519-02-01-00	18	5	112	51	V619-02-01-00	15	5	112	51	31	14	19	25	27 ³ / ₄	24 ¹ / ₄
V428-02-01-00	33	10	124	56	V528-02-01-00	26	8	124	56	V628-02-01-00	22	7	124	56	31	14	28	34	36 ³ / ₄	35 ¹ / ₄
V432-02-01-00	38	12	132	60	V532-02-01-00	30	9	132	60	V632-02-01-00	25	8	132	60	31	14	32	38	40 ³ / ₄	39 ¹ / ₄
										V648-04-01-03	38	12	168	76	33 ³ / ₄	15	48	54	59 ¹ / ₂	55 ¹ / ₄
Above models have a 4" (102mm) inlet and reducer #260803, 4" hose adapter.					Above models have a 5" (127mm) inlet and reducer #260804, 5" hose adapter.					Above models have a 6" (152mm) inlet and reducer #260805, 6" hose adapter.					Dimensions are in inches.					



Model without Hose	Length		Weight		Dimensions					
	ft	m	lbs	kg	A	B	C	D	E	F
V832-04-01-00	19	6	168	78	33 ³ / ₄	15	32	38	43 ¹ / ₂	39 ¹ / ₄
V848-04-01-00	28	9	193	87	33 ³ / ₄	15	48	54	59 ¹ / ₂	55 ¹ / ₄
Above models have an 8" (203mm) inlet and reducer #602075-35, 8" hose adapter.					Dimensions are in inches.					

Hose Bumper	
P/N	Description
600138	4" - 8" Hose Stop

NOTE: Hose capacities are suggested by the manufacturer and do not reflect additional hanging hose. In most instances, additional hose will hang off the reel but is not to exceed 15ft. in length.