

New Product Announcement | Series LS 5000

Stainless Steel Cord Reels Series LS 5000

Stainless cord reels are better suited in applications where corrosion or sanitation are a concern. Heavy gauge 304L stainless provides an excellent finish and superior corrosion resistance. Reels include 4-5' pigtail, multi-positional guide arm and cord stop. Models listed are for indoor, non-weather-tight applications only.

Benefits

- **Medical Grade** - Stainless steel is easy to sanitize/clean and these reels feature a medical grade, gray cord.
- **Quiet** - These reels utilize a cam latching system, making them much quieter and smoother than other reels in their class.
- **Compact** - A space saving design makes them ideal for minimum space requirements.
- **Superior Strength** - A robotically welded base, engineered structural supports and high-grade industrial stainless steel combine to give this reel superior strength and stability.



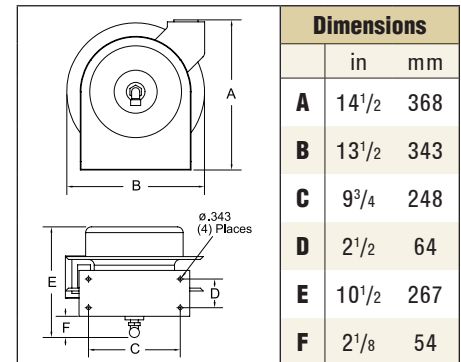
LS 5415 123 3M

Related Products

Reelcraft offers a comprehensive line of hose, cord and cable reels for almost every application. For more information visit us online at www.reelcraft.com or call toll free 800-444-3134.

LS 5415 123 3M

- 304L grade stainless steel
- Medical grade
- Quiet speed latching mechanism
- Adjustable guide roller



Model with cable	Cord Ending	Cord Specifications						Volts	Amps	Shipping Weight	
		AWG	mm	# Cond	ft	m	Type			lbs	kg
LS 5415 123 3M	Single Medical Grade Receptacle	12	3.32	3	15	5	SJTO	115	15	30	14

For indoor non-weather tight applications only. For other lengths, cord types or volt/amp ratings consult the factory.