

Reel Mounting Solutions | Cabinet Style Reel Bank



Cabinet Style Reel Bank

For use with Series 4000, 5000, 5005 and 7000 C reels

Reelcraft's overhead reel cabinets are vacuum formed from a white polyethylene high impact, stain resistant, corrosion resistant, ABS polymer. These attractive lightweight assemblies are easily installed to wrap around Reelcraft's spring driven Series 4000, 5000, 5005 and 7000 air, water and lubrication hose reels and power cord reels. The cabinet encloses the reels to conceal and protect them from the surrounding environment and provide an aesthetic value. Cabinets are available for a single mounted reel or multiple reels.

Cabinet Components

Model #	Description
600231	Wrapper assembly - includes mounting hardware. One assembly required per reel.
600367	Single mounting channel assembly - includes two beam clamps and mounting hardware. Will accommodate one reel.
600178	Double mounting channel assembly - includes two beam clamps and mounting hardware. Will accommodate two reels.
600174	End panel assembly - includes two end panels and mounting hardware. One assembly required per bank.



600231 - Wrapper assembly



600178 - Double mounting channel assembly



600174 - End panel assembly

Additional Accessories

Mounting channel and beam clamps

For mounting standard reels with guide arms to I-beam without the use of cabinets.

600370 - 1 reel

600295 - 2 reels

Adaptor assembly

Used with top channels and beam clamps only.

600230 - Adaptor assembly for Series RT, 4000, 5000 and 5005 reels



600370
1 reel mounting



600295
2 reel mounting



600230
Adaptor assembly

How to Order

The wrapper assembly + mounting channel assembly + end panel assembly completes the reel bank. Any combination of wrapper assemblies and mounting channel assemblies can be mounted end to end for any desired number of reels or products to be dispensed.

Series 7000 C hose reels include all necessary hardware for mounting inside cabinet. A two foot connecting hose and one elbow are included with each reel for inlet connection. An adaptor assembly will permit the mounting of Reelcraft Series 4000, 5000 and 5005 hose reels and power cord reels.

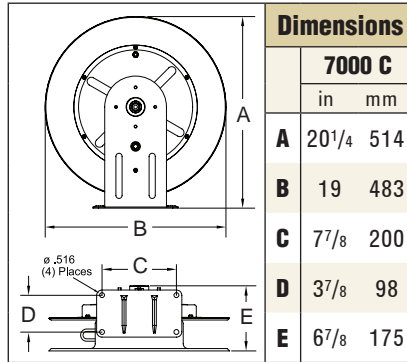
Cabinet Style Hose Reels | Series 7000 C

Heavy Duty Spring Retractable Hose Reels

Air/Water/Oil/Grease - 1/4", 3/8", 1/2" I.D.

Reelcraft's Series 7000 C hose reels are designed to be mounted inside cabinets. All Series 7000 C reels include a two foot connection hose with one elbow for inlet connection.

Made in USA 



Series 7000 C
7850 CLP

Model with Hose	Shipping Weight		Hose I.D.		Hose O.D.		Hose Length		Pressure		(M)NPTF Hose Outlet	(F)NPTF Reel Inlet	Model without hose & bumper	Shipping Weight		Pressure	
	lbs	kg	in	mm	in	mm	ft	m	psi	bar	in	in		lbs	kg	psi	bar
Low Pressure Air/Water Reels Maximum Temperature 150 °F (65 °C)																	
7640 CLP	51	23	3/8	10	.600	15	40	12	300	21	1/4	1/2	7600 CLP	46	21	500	35
7650 CLP	53	24	3/8	10	.600	15	50	15	300	21	1/4	1/2	7600 CLP	46	21	500	35
7670 CLP	57	26	3/8	10	.600	15	70	22	300	21	1/4	1/2	7600 CLP	46	21	500	35
7850 CLP	57	26	1/2	13	.750	19	50	15	300	21	3/8	1/2	7800 CLP	46	21	500	35
Medium Pressure Oil Reels Maximum Temperature 210 °F (99 °C)																	
7640 CMP	56	25	3/8	10	.690	18	40	12	2600	179	3/8	1/2	7600 CMP	46	21	3000	207
7650 CMP	58	26	3/8	10	.690	18	50	15	2600	179	3/8	1/2	7600 CMP	46	21	3000	207
7850 CMP	61	28	1/2	13	.820	21	50	15	3250	224	1/2	1/2	7800 CMP	46	21	3250	224
High Pressure Grease Reels Maximum Temperature 210 °F (99 °C)																	
7450 CHP	59	27	1/4	6	.580	15	50	15	5000	345	1/4	1/2	7600 CHP	46	21	5000	345
7650 CHP	65	29	3/8	10	.730	19	50	15	4800	331	1/4	1/2	7800 CHP	46	21	5000	345

Low pressure reels furnished standard with PVC hose. Medium pressure reels furnished standard with S.A.E. 100 R1T one wire braid hose. High pressure reels furnished standard with S.A.E. 100 R2T two wire braid hose.

Premium Duty Spring Retractable Hose Reels

Air/Water/Oil/Grease - 1/4", 3/8", 1/2" I.D.

Reelcraft's Series 4000, 5000 and 5005 hose reels and power cord reels can also be mounted inside Reelcraft's overhead reel cabinet. An adaptor assembly (#600230) is required to mount Series 4000, 5000 and 5005 reels to the mounting channel assembly of the cabinet. The guide arm needs to be placed in the top wind (TW) position for the correct reel cabinet installation. Series 4000, 5000 and 5005 reels do not include a connection hose or elbow; order inlet connection accessories separately. Refer to master catalog or Reelcraft.com for model information and dimensions.



Series 4000
4625 OLP

Made in USA 



Series 5005
5650 OLP