

Value Series Stainless Steel Reels Series LC

Reelcraft's new value series stainless steel hose reels are developed for light-duty, spring-driven hose reel applications in corrosive or sanitary environments. Designed for stationary indoor and outdoor use, these reels can be attached to most surfaces that can be drilled.

Benefits

- **Robust construction** - Base and guide arm made of heavy-gauge steel stampings with reinforcing ribs
- **Corrosion resistant** - High quality stainless steel components
- **Easy mounting** - Base slots to facilitate mounting and adjustment
- **Power spring** - Retraction spring with substantial output torque and long service life
- **Ratchet** - Eight-position ratchet locks reel at desired hose length
- **Latch spring** - Field-proven torsion spring, stainless steel construction
- **Guide arm** - Adjustable to five convenient positions
- **Roller** - 3 in. (76.2 mm), one piece solid roller
- **Swivel** - Proven design provides long service life

Note: Reels have a stainless shaft and brass swivel and are supplied without hose and bumper.

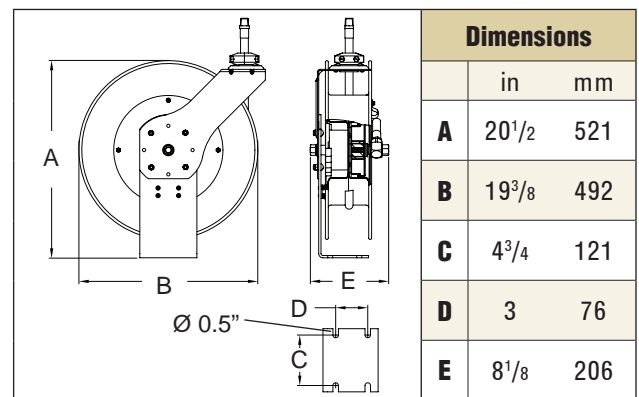


LC607 OLS

Reelcraft Industries is
ISO 9001:2008
Certified Since 1996

Applications

- Restaurants
- Dairies
- Marinas
- Pharmaceutical
- Food processing
- Ships



Model without hose	Shipping Weight		Hose I.D.		Hose O.D.		Hose Length		Pressure		(F)NPTF Reel Outlet	(F)NPTF Reel Inlet
	lbs	kg	in	mm	in	mm	ft	m	psi	bar	in	in
Low Pressure Air/Water Stainless Steel Reels Maximum Temperature 150 °F (65 °C)												
LC607 OLS	35	16	3/8	10	.600	15	70	21	300	21	1/4	1/4
LC800 OLS	33	15	1/2	13	.750	19	50	15	300	21	1/2	1/2

Related Products

Reelcraft offers a complete line of over 2,500 hose, cord and cable reels. For more information visit us on the web at www.reelcraft.com.