

New Product Announcement | Series RT

Side Mounted Reels Series RT

Reelcraft has modified the popular Series RT, enabling the reel to be mounted on its side, making it ideal for mounting in cabinets and other tight spaces. The standard base is replaced by an equally heavy duty side mount plate. The stainless torsion spring and latch are mounted on the arm for ease of access and to eliminate the possibility of latch out at full extension. The guide arm is easily moved to one of six positions, using only standard tools.



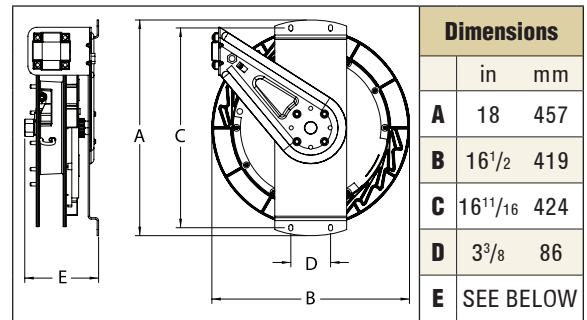
RT650-OLPSM

Benefits

- **Safety** - Main drive spring completely containerized and permanently sealed.
- **Low Maintenance** - Widened ratchet and latch pawl design greatly reduces wear and increases service life.
- **Corrosion Resistance** - Reels feature individual powder coat painting to ensure the highest level of corrosion resistance.
- **Lightweight** - Incorporating a composite spool reduces overall weight without sacrificing strength.
- **Ease of Operation** - Latch pawl is mounted on guide arm to prevent latch out at full extension and high quality drive spring ensures reel retracts smoothly each and every time.
- **Increased Strength** - Ribs are engineered into the guide arm to give added strength and decrease the likelihood of bending due to angular hose pull.



- Stainless steel torsion spring
- Widened ratchet and latch pawl
- Guide arm adjusts to 6 different positions
- High quality hose and rubber bumper stop
- Individual powder coat painting on the component level prior to final assembly for maximum corrosion resistance
- High quality brass hose crimpings
- Containerized drive spring



Related Products

Reelcraft offers a comprehensive line of hose, cord and cable reels for almost every application. For more information visit us online at www.reelcraft.com or call toll free 800-444-3134.

Model with hose	Shipping Weight		Hose I.D.		Hose O.D.		Hose Length		Pressure		(M)NPTF Hose Outlet	(F)NPTF Reel Inlet	E	
	lbs	kg	in	mm	in	mm	ft	m	psi	bar	in	in	in	mm
RT450-OLPSM	25	11	1/4	6	.475	12	50	15	300	21	1/4	3/8	6 1/8	156
RT635-OLPSM	27	13	3/8	10	.600	15	35	11	300	21	1/4	3/8	6 1/8	156
RT650-OLPSM	29	13	3/8	10	.600	15	50	15	300	21	1/4	1/2	7 3/8	187
RT825-OLPSM	29	13	1/2	13	.750	19	25	8	300	21	1/2	1/2	7 3/8	187
RT835-OLPSM	30	14	1/2	13	.750	19	35	11	300	21	1/2	1/2	7 3/8	187
RT850-OLPSM	38	17	1/2	13	.750	19	50	15	300	21	1/2	1/2	8 5/8	219
RT650-OMPMSM*	27	13	3/8	10	.710	18	50	15	1000	69	3/8	1/2	7 3/8	187

*Medium pressure for oil.