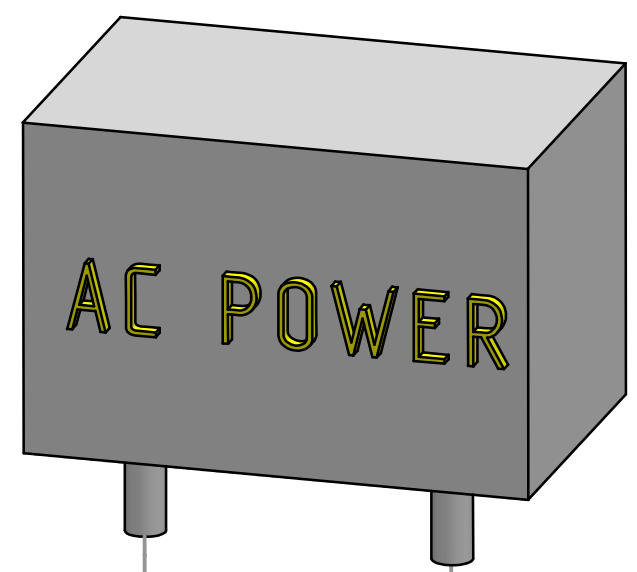
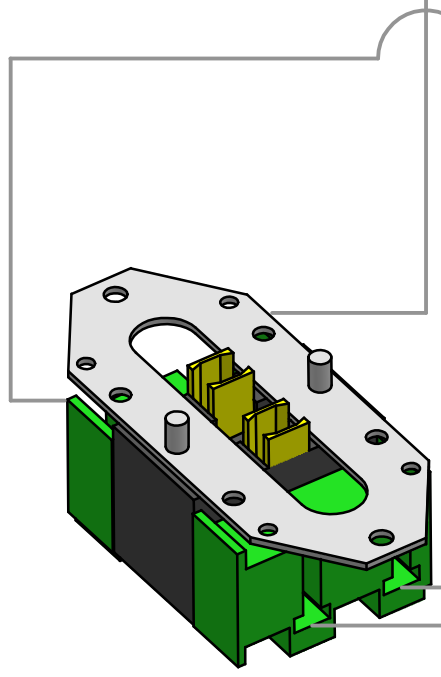


LTR	DESCRIPTION	DATE	E.C.N.
A1	NEW RELEASE	6/01/10	



**SINGLE PHASE A.C. POWER**  
115 OR 230 VAC

**1**

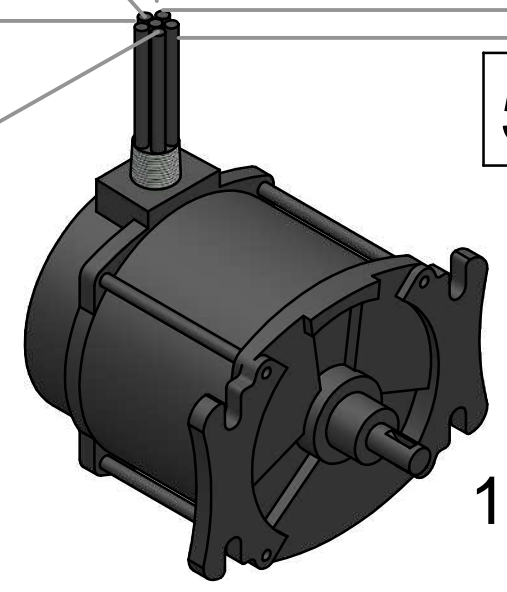


**DOUBLE POLE-  
SINGLE THROW SWITCH**  
(INTERNALS SHOWN)  
RC PART #: 260425

**6**

**2**

**3**



**115 OR 230 VAC  
MOTOR**

**4**

**5**

**NOTE: TO REVERSE MOTOR ROTATION,  
INTERCHANGE LEADS 5 & 6**

MATERIAL	UNLESS OTHERWISE NOTED: DIMENSIONS ARE IN INCHES. TOL.=ANGLES ±2° CONC. .010 T.I.R. FRACTIONS REF. TO IND. STDS. REMOVE BURRS, BREAK SHARP CORNERS NOT TO EXCEED .015 MACH. SURFACES ARE $\sqrt{125}$ MAX	REELCRAFT INDUSTRIES INC. COLUMBIA CITY, IN 46725 U.S.A.	NEXT ASSY	USED ON
FINISH	NOTED	DRAWING TITLE <b>AC POWER WIRING DIAGRAM DOUBLE POLE-SINGLE THROW SWITCH</b>		
HEAT TREAT	DRAWN BY: GGB 06/01/10	THIS MATERIAL IS OWNED BY REELCRAFT INDUSTRIES INC. AND IS NOT TO BE REPRODUCED OR DISTRIBUTED WITHOUT WRITTEN PERMISSION.		
WEIGHT	CHECKED BY:	EXP. NO.		
	ENG. APPROVAL: ELW	DRAWING NO.		
	SCALE: NONE	SIMILAR TO:		

DRAWING NO.