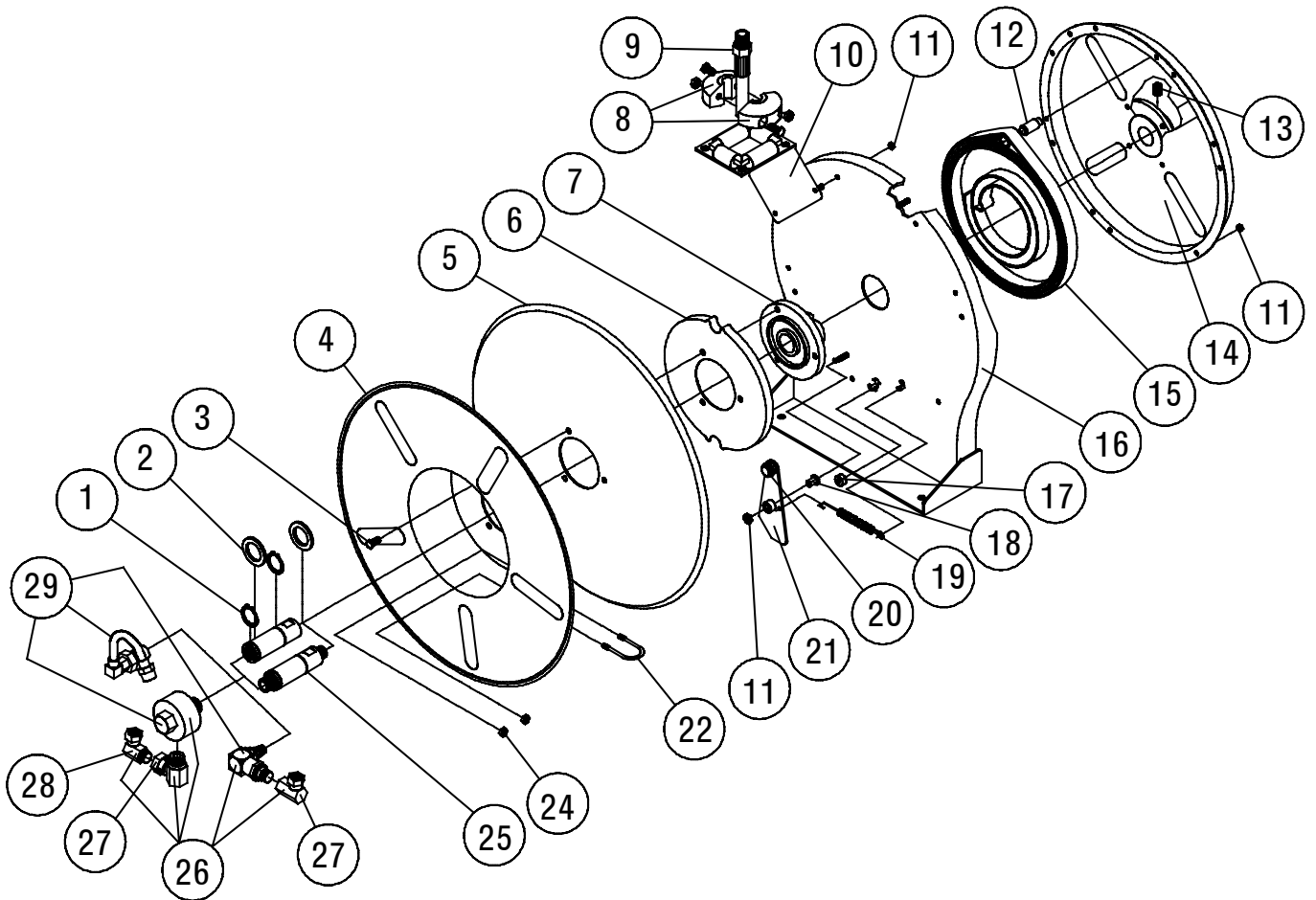


Tech Bulletin

5005 Constant Tension Requirements

The following parts should be removed from the reel to make it constant tension.

Item #	Part #	Qty.	Description
6	500019	1	Latch Cam
17	400021	1	Latch Plate Bumper
18	400012	1	Latch Bushing
19	400018	1	Latch Plate Spring
21	400109	1	Latch Plate Assembly



Form # TB0004 Rev: 5/2012

5005 Constant Tension Requirements

Item #	Part #	# Req.	Description	Item #	Part #	# Req.	Description	Item #	Part #	# Req.	Description
1	300031	2	1" Snap Ring	10	500107	1	Guide Arm Assembly	18	400012	1	Latch Bushing
2	300034	3	Spacing Washer	11	300011	9	Hex Lock Nut	19	400018	1	Latch Spring
3	S295-102	3	Hex Screw	12	261360	1	Spring Case Stud	20	400020	1	O-ring
4	260149	1	Reel Flange	13	300006	1	3/8-16 x 1/2" Set Screw	21	400109	1	Latch Plate Assembly
5	260151	1	Sheave Disk	14	600094	1	Spring Case & Hub Assembly	22	2-117440	1	U-Bolt Hose Clamp
6	500019	1	Latch Cam	16	600029	1	Base Ass'y	24	261650-1	2	1/4-20 Nylock Nut
7	260648	1	Spring Arbor	17	400021	1	Latch Bumper	30	S82-15	1	Nyloc Nut 10-32 x 3/8"

Item #	Description	# Req.	Model 5605 OLP	Model 5650 OLP	Model 5605 OMP	Model 5405 OHP	Model 5435 OHP
8	Hose Bumper Assembly	1	None	1-HR1004	None	None	1-HR1004
9	Hose Assembly	1	None	601013-50	None	None	20-260044
15	Drive Spring Assembly	1	600050	600050	600050	600050	600020
25	Main Shaft	1	400015	400015	500008	500015	500015
26	Swivel & Ell Assembly	1	None	None	600358	602492	602492
27	90° Elbow	1	None	None	S257-72	S257-10	S257-10
28	90° Elbow	1	None	None	S257-25	None	None
29	Swivel Assembly	1	600886	600886	602032	260042	260042
Hose I.D. and Length			None	3/8" x 50'	None	None	1/4" x 35'
Reel Inlet Connection			3/8" F.P.T.	3/8" F.P.T.	3/8" F.P.T.	1/4" F.P.T.	1/4" F.P.T.
Max. Operating Pressure			500 P.S.I.	300 P.S.I.	3000 P.S.I.	5000 P.S.I.	5000 P.S.I.
Max. Operating Temperature			210°F	150°F	210°F	210°F	210°F