

Tech Bulletin

Series RT Information

Lightweight Automatic-Winding Hose Reel / Series RT

1) The spool is made from a lighter weight engineered polymer. What specific type of plastic are these reels made of – polypropylene, polyethylene, etc? Are the reels glass-filled or not?

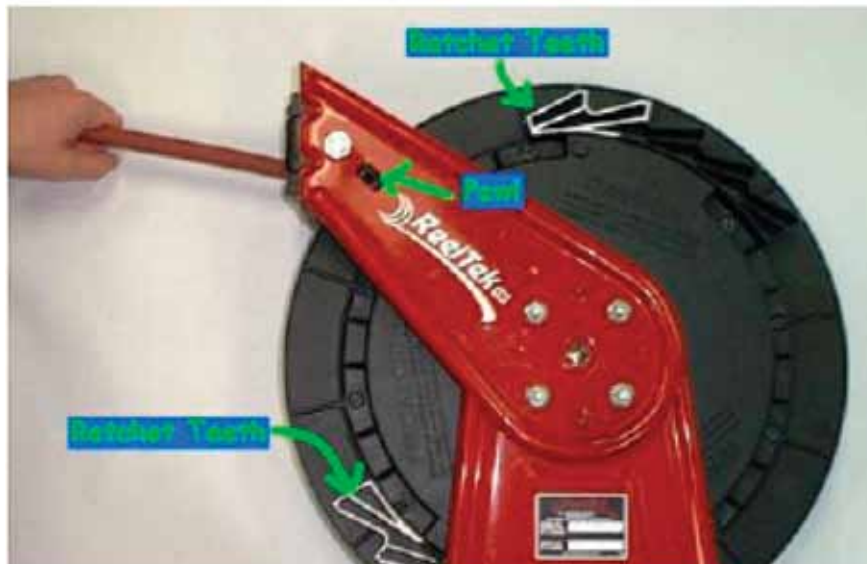
A. Molded spool and springcase are made of 10% glass filled no break co-polypropylene

2) Is the spring in the reels self-winding or manual?

A. The spring in the reel winds as the user pulls the hose off of the reel

3) Can the hose be locked in place once it is pulled out? If so, how does the customer lock the hose in place?

A. Yes the hose can be locked in place (reference below image). When the user has pulled the desired length of hose from the spool and when they hear the latch pawl “clicking” as it travels over the ratchet they stop pulling and give the reel back a couple of inches of hose at which point the pawl engages with the teeth preventing the drive spring from retracting any more hose.



4) How do you rewind the hose? Do you pull it or push it back into the reel?

A. Pull on the hose enough so that the pawl is clear of the ratchet teeth at which point the wound spring will pull the hose onto the spool. The user should control the retraction by walking the hose towards the reel as opposed to allowing it retract unrestrained.

5) What type of hose come standard with these reels – PVC, EPDM, etc?

A. PVC

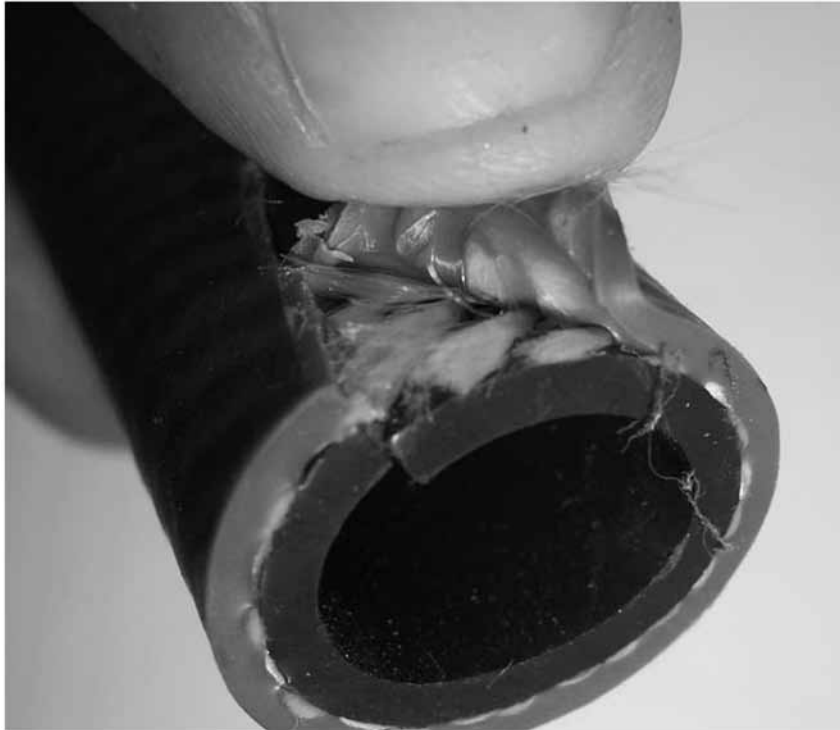
Form # TB0016 Rev: 7/2012

6) What is the color of the tube underneath the hose cover?

A. Black

6a) What is the color of the hose cover?

A. Red



7) What kind of reinforcement does the hose have – high tensile strength yarn, steel wire, etc?

A. High tensile strength yarn (see above image)

8) What is the minimum working temperature range for the reels?

A. The low temperature operation limitation is 0°F to 150°F.

9) What kind of material is the inlet fitting made of?

A. Carbon steel for the main shaft, brass for the swivel union

9a) Is the inlet fitting rigid or swivel?

A. Rigid for the main shaft / swivel for the swivel union

9b) What specific type of rubber is the seal on the inlet fitting made of?

A. Buna “N” for 3/8” hose, AFLAS for 1/2” hose

10) What kind of material is the outlet fitting made of? Is the outlet fitting rigid or swivel?

A. Brass; Rigid

11) I know that the threads for the reels are NPTF but are they Dryseal as well?

A. Yes

12) Are mounting fasteners included or not included?

A. Mounting fasteners are not included; see instructions below. Refer to reelcraft.com for mounting instructions.

IMPORTANT HOSE REEL MOUNTING INSTRUCTIONS AND TEMPLATE

Due to the many types of surfaces on which the hose reel could be installed, we have outlined some guidelines that may be useful to you for your particular application.

For installation on a brick, cement, cinder block or other hard surface

1. We recommend acquiring the following items for installation:
 - a. Four 1/4" x 1 1/2" lag screws
 - b. Four 1/4" x 3/4" aluminum anchors
 - c. Four 1/4" flat washers
 - d. Power drill (or hammer drill) with a 1/2" masonry drill bit
 - e. 7/16" socket wrench or adjustable wrench

The directions that follow assume that you are using these items.

2. After you have selected a particular location for mounting the hose reel, use the mounting template to mark the locations for drilling the four mounting holes.
3. Drill a 1/2" diameter hole at each of the locations marked.
4. Insert an anchor in each of the four holes.
5. Align the holes on the hose reel mounting bracket with the anchors in the wall. Insert the lag screws with washers attached and cinch down each lag screw.

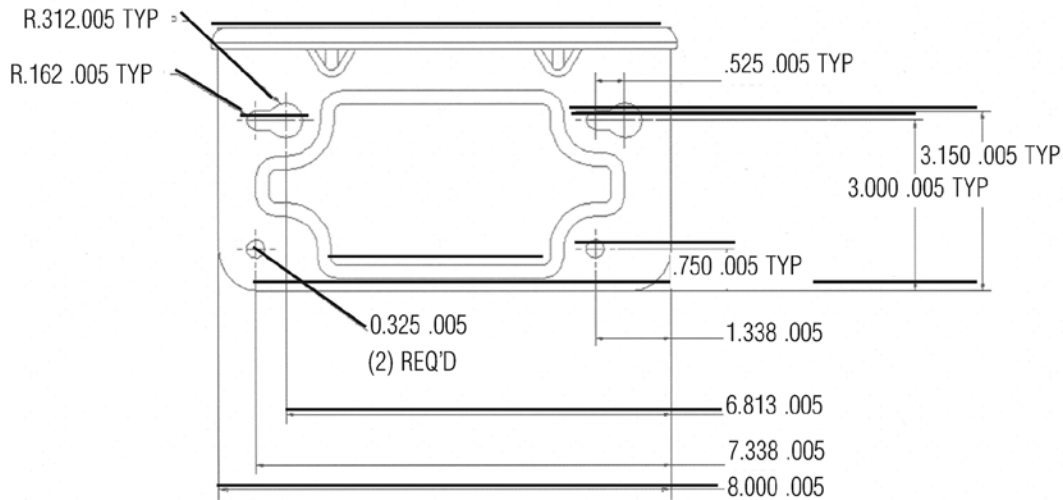
For installation on a wood, drywall or stucco surface

1. We recommend acquiring the following items for installation:
 - a. 2" x 10" x 20" piece of lumber
 - b. Four lag screws for attaching lumber to wall
 - c. Four 1/4" x 1 1/4" lag screws for attaching hose reel to piece of lumber
 - d. Eight 1/4" flat washers
 - e. Power drill with drill bit(s) slightly smaller than lag screws
 - f. 7/16" socket wrench or adjustable wrench
2. After you have selected a particular location for mounting the hose reel, determine the location of the studs in the walls. The piece of lumber must be mounted to the studs to provide a sturdy base for mounting your hose reel.
3. Mount the wood base to the studs using the four lag screws with washers attached. Then use the mounting template to mark the locations for drilling the 4 mounting holes on the wood base.
4. At each of the 4 locations marked, drill a hole slightly smaller than the diameter of the 1/4" x 1 1/4" lag screw.
5. Align the holes on the hose reel mounting bracket with the holes drilled in the wood base. Insert the lag screws with washers attached and cinch down each lag screw.

13) How many mounting holes does the base on the reels have?

A. There are (2) mounting holes and (2) mounting slots

13a) What is the diameter of the holes?



14) How many inches wide are the slots on the mounting base?

A. See above

15) Is the hose pressure given in the literature working or burst pressure? What degree Fahrenheit is it given at?

A. Working pressure is given. We list the max. psi @ 72°F.

15a) Would these psi ratings still be the same or accurate if measured at 72°F?

A. Yes

16) If applicable, what specific MIL, SAE, ASTM, ANSI, MSS, UL, DOT, DIN, MS or Fed specifications do the reels meet?

A. None

17) If applicable, do the reels meet the following: FDA, NSF-51 or NSF-61?

A. None

18) The RT series reels can be used with air, water and oil but can they be used with the following?

- | | |
|--------------------|-----|
| a. hydraulic fluid | Yes |
| b. food | No |
| c. beverage | No |

19) What are the two most common chemicals the reels can be used with?

A. Petroleum products, anti-freeze

20) Can the reels be used indoors, outdoors or both?

A. Both