

Tech Bulletin

G3050 Grounding Reel Cable Tensioning Instructions



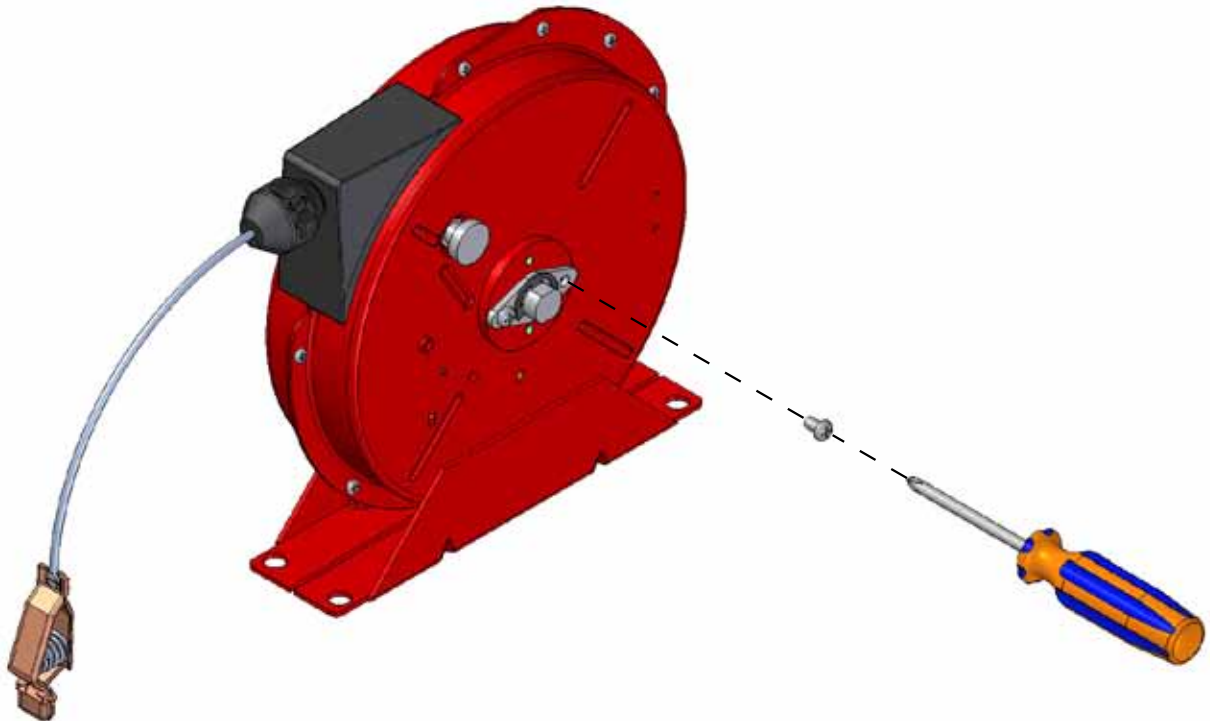
Tools required (not included):

- 14mm Open-End Wrench
- #1 Phillips Screw Driver

CAUTION: Never add or remove tension when the cable is extended from the reel. The cable must always be fully wound on the reel.

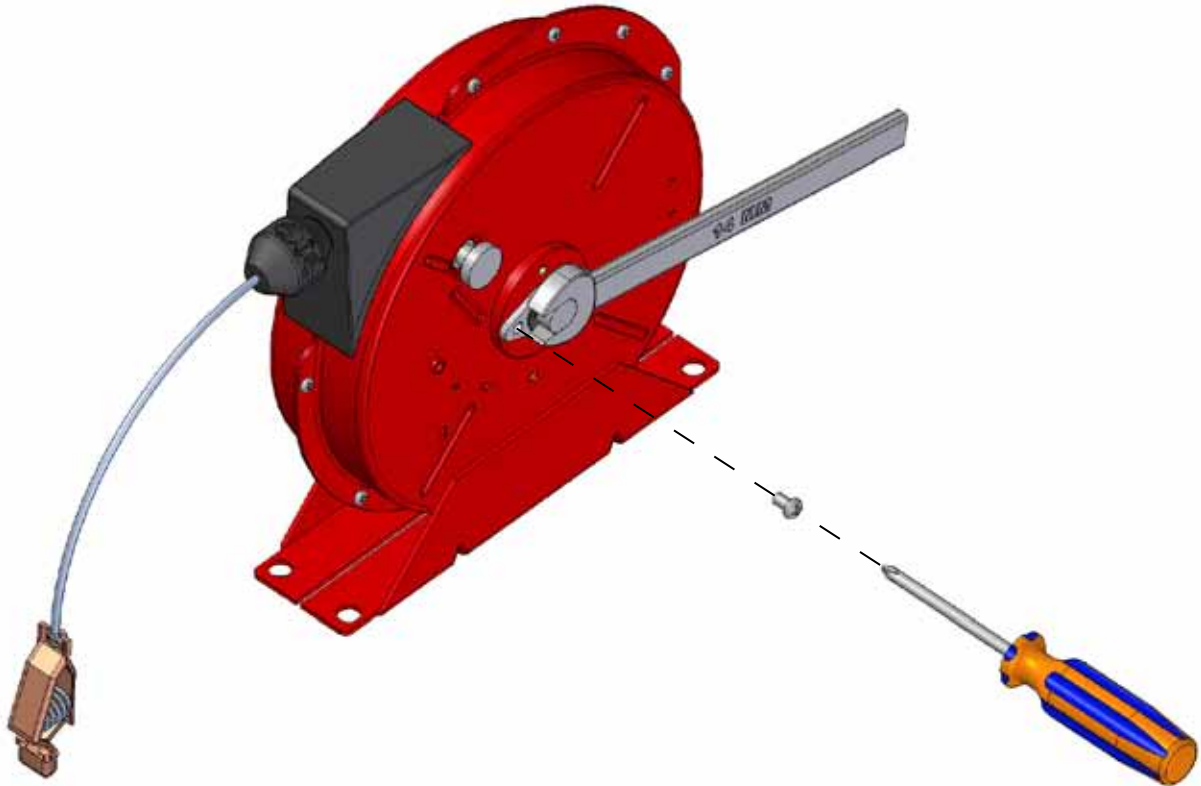
TENSION ADJUSTMENT:

1. Remove (1) screw from hub using screw driver.

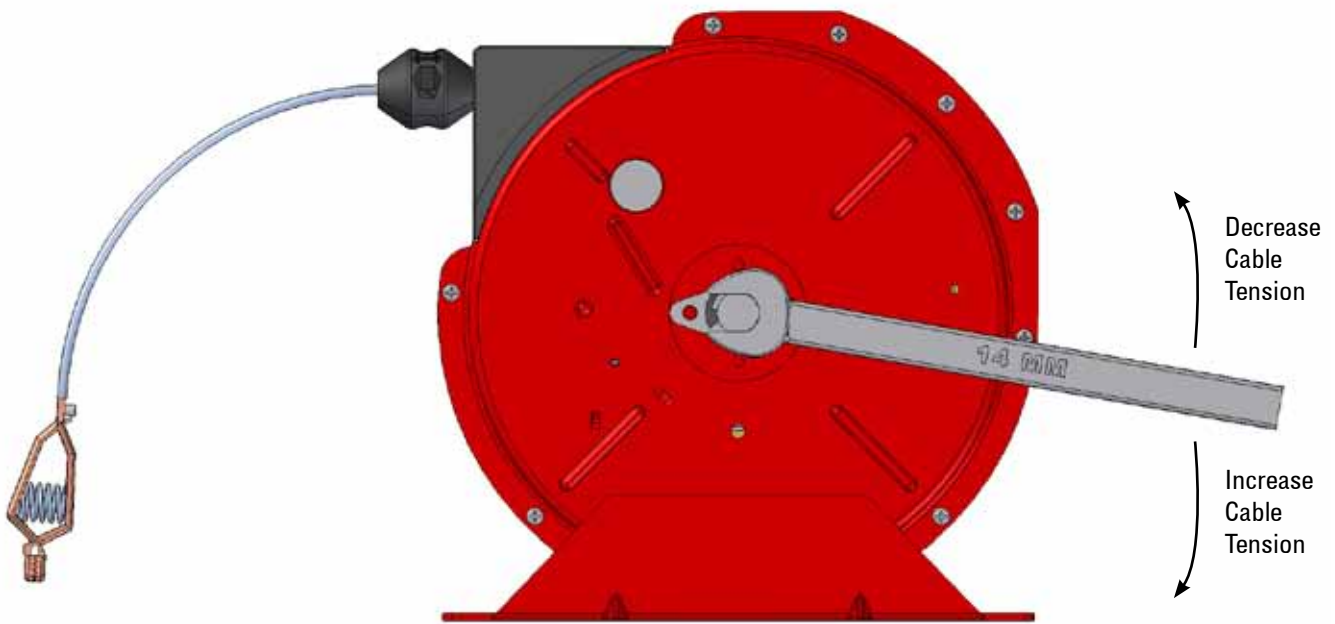


Form #TB0023 Rev: 4/2012

2. While holding shaft with wrench, remove second screw from hub using screw driver.



3. Using wrench, turn shaft counter-clock wise to decrease cable tension or turn shaft clock wise to increase cable tension.



4. Replace the (2) screws in reverse order of step 1 and step 2.