

Tech Bulletin

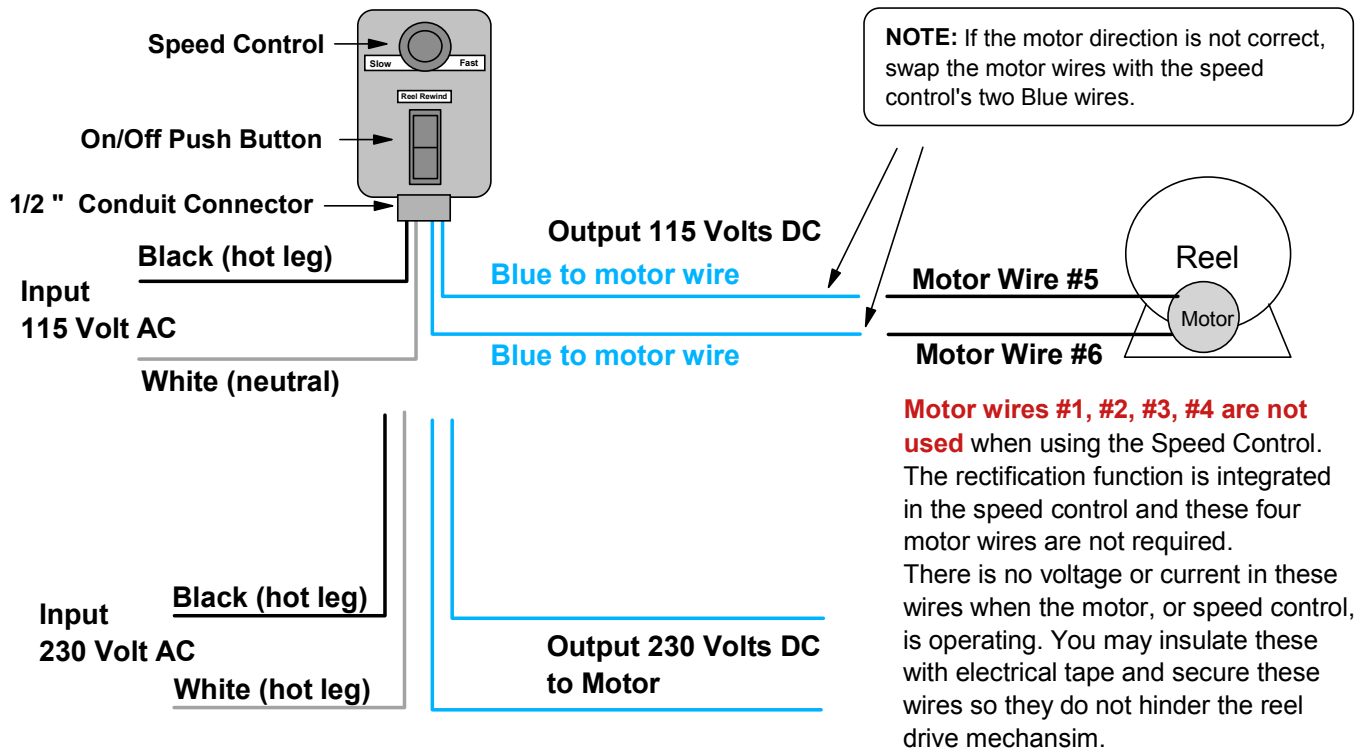
S600872 Speed Control Installation Instructions

Application:

The **S600872** is a Motor Speed Control and is specifically designed for the 115 Volt or the 230 Volt Universal Motors (Rectified DC Motors) with a Motor Tag Current Rating of no larger than 10 Amps. The S600872 contains an internal rectifier, therefore the internal motor rectifier wires are not used. See wiring instructions.

Mounting: Four screw holes in the flanges or drill your own holes in the flanges.

Wiring Instructions



Circuit Protection - The installer must provide the 12 AWG, 2 conductor feed line and it must be on it's own circuit, protected by a 15 Amp circuit breaker in the electrical service panel. Do not use a ground fault breaker for the motor controller circuit protection.