

Tech Bulletin

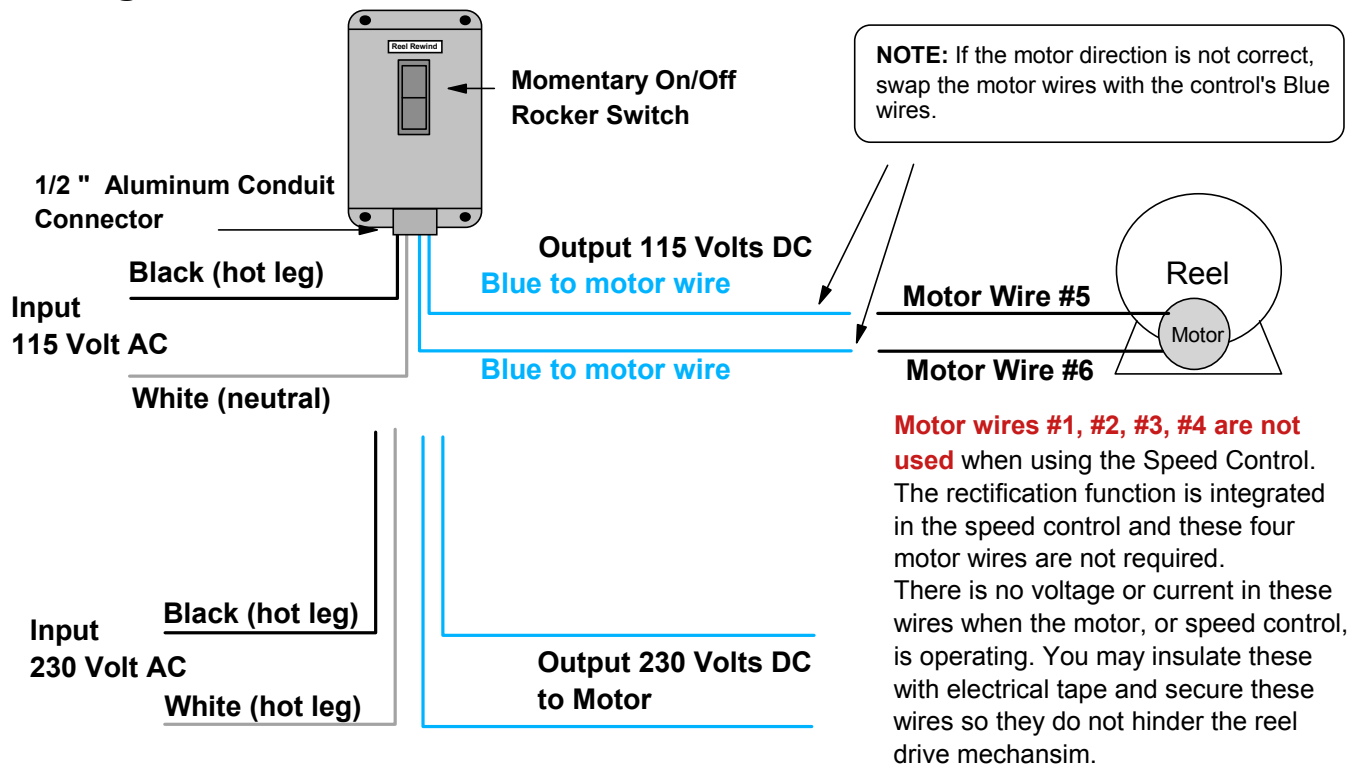
S600870 Speed Control Installation Instructions

Application:

The **S600870** performs the Power On/Off switching function to the reel motor. It is specifically designed for a 115V or 230V Universal (AC to DC Rectified Motor). The S600870 contains an internal AC to DC rectifier and replaces the rectifier in the motor. Thus only motor wires #5 and #6 need to be connected. The rectifier motor wires #1, #2, #3, and #4 are not used. See wiring instructions.

Mounting: Screw holes in the enclosure flanges or drill your own holes in the flanges.

Wiring Instructions



Make the wire connections in your own electrical box - Do not open the controller. There is no room in the controller to make your wire connections. Use aluminum conduit between the controller and your electrical box.

Circuit Protection - The installer must provide the 12 AWG, 2 conductor feed line and it must be on its own circuit, protected by a 15 Amp circuit breaker in the electrical service panel. Do not use a ground fault breaker for the motor controller circuit protection.

Form # TB0030 Rev: 9/2012