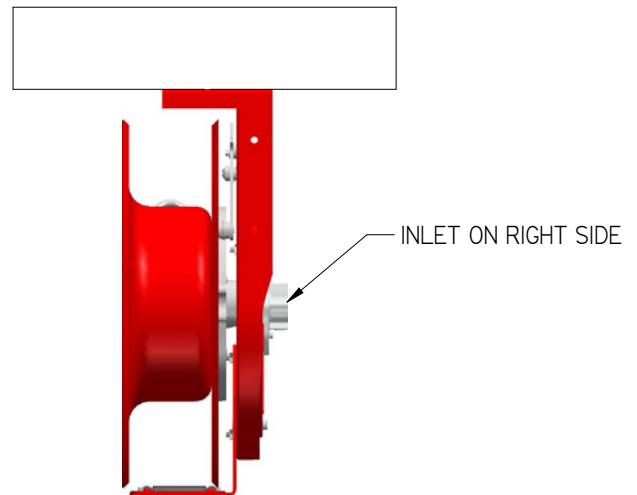
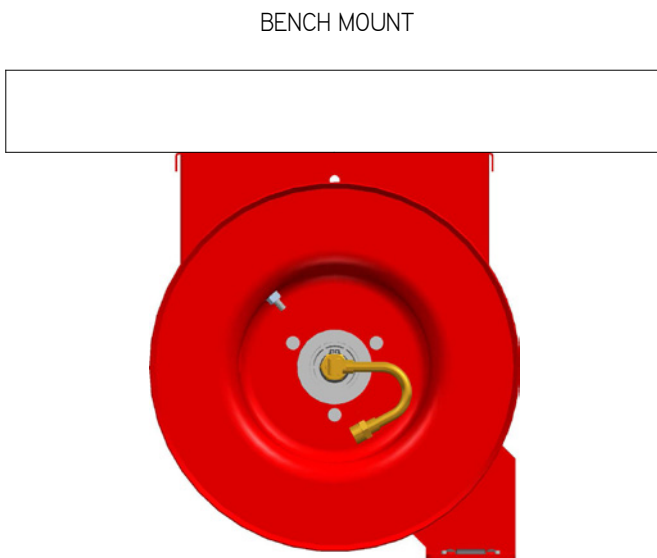
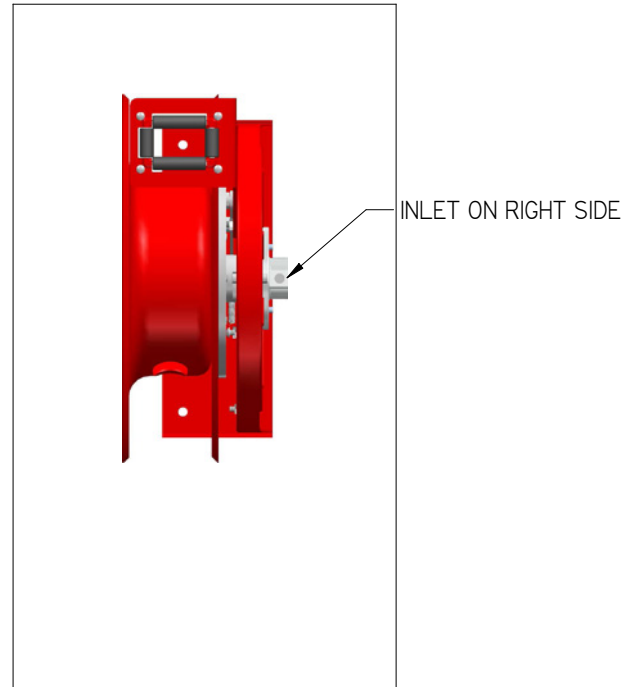
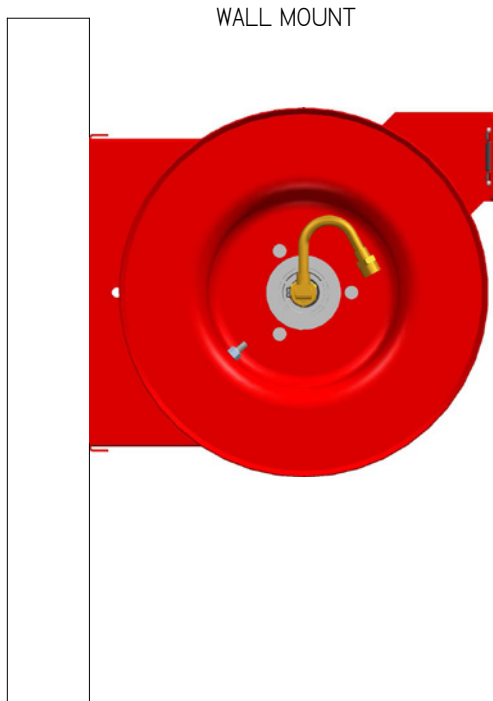


Tech Bulletin

Series 4000 / 5000 / 5005

Mounting Configuration

For proper installation in wall mount applications, ensure reel is mounted with inlet on the right as you are facing the reel. Failing to do so could cause latching issues.



Form #TB0033 Rev: 10/2012