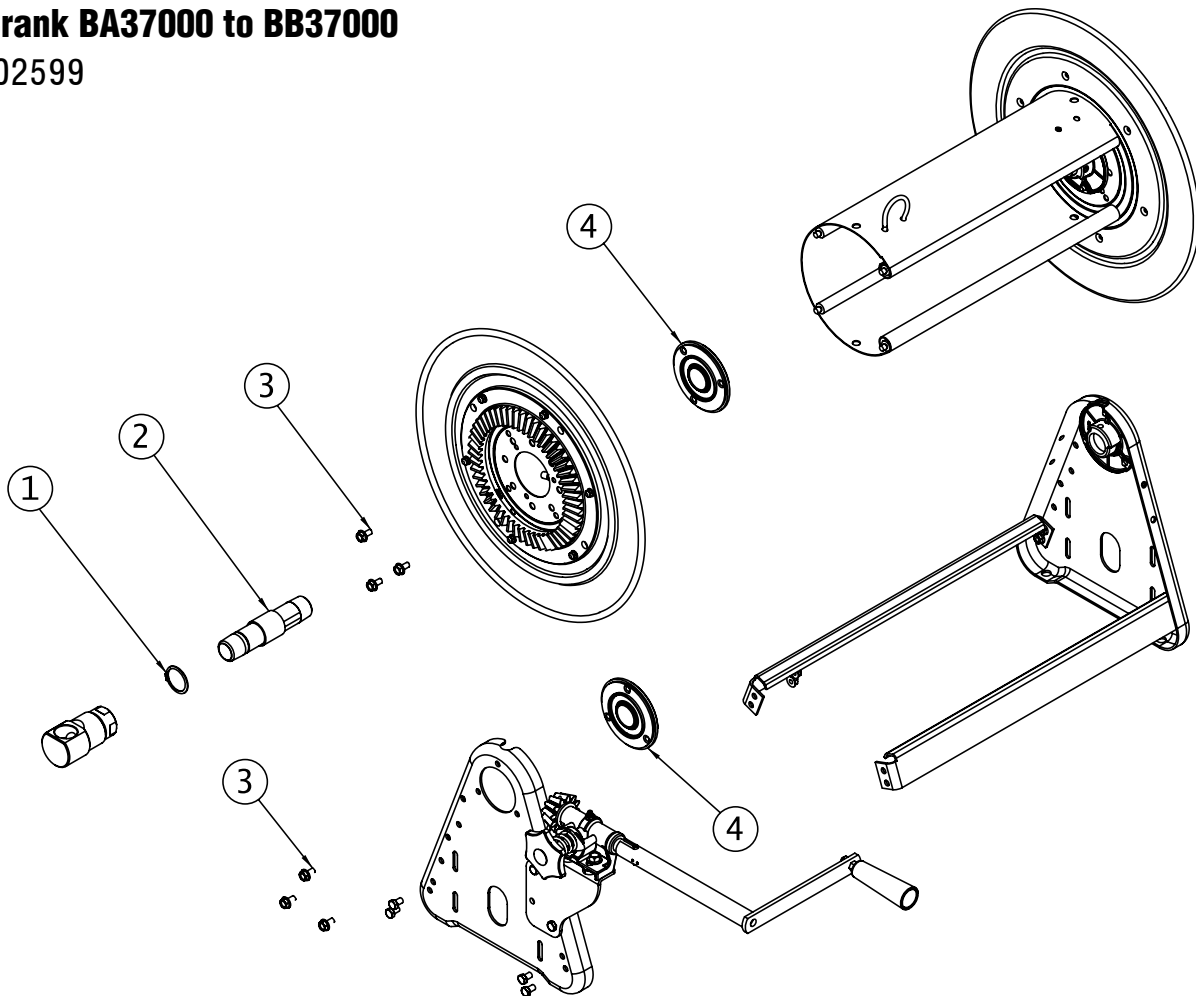


# Tech Bulletin

## BA/CA/EA37000 to BB/CB/EB37000 Conversion Kit & Requirements

Changes made to the design of BA/CA/EA37000 reels include: deletion of self-aligning bearing in favor of fixed oil lite bearing as well as changes to shaft, bearing and hub. For full backwards compatibility, user requires kit detailed in this tech bulletin.

### Bevel Crank BA37000 to BB37000 Kit #S602599



#### Parts included in kit

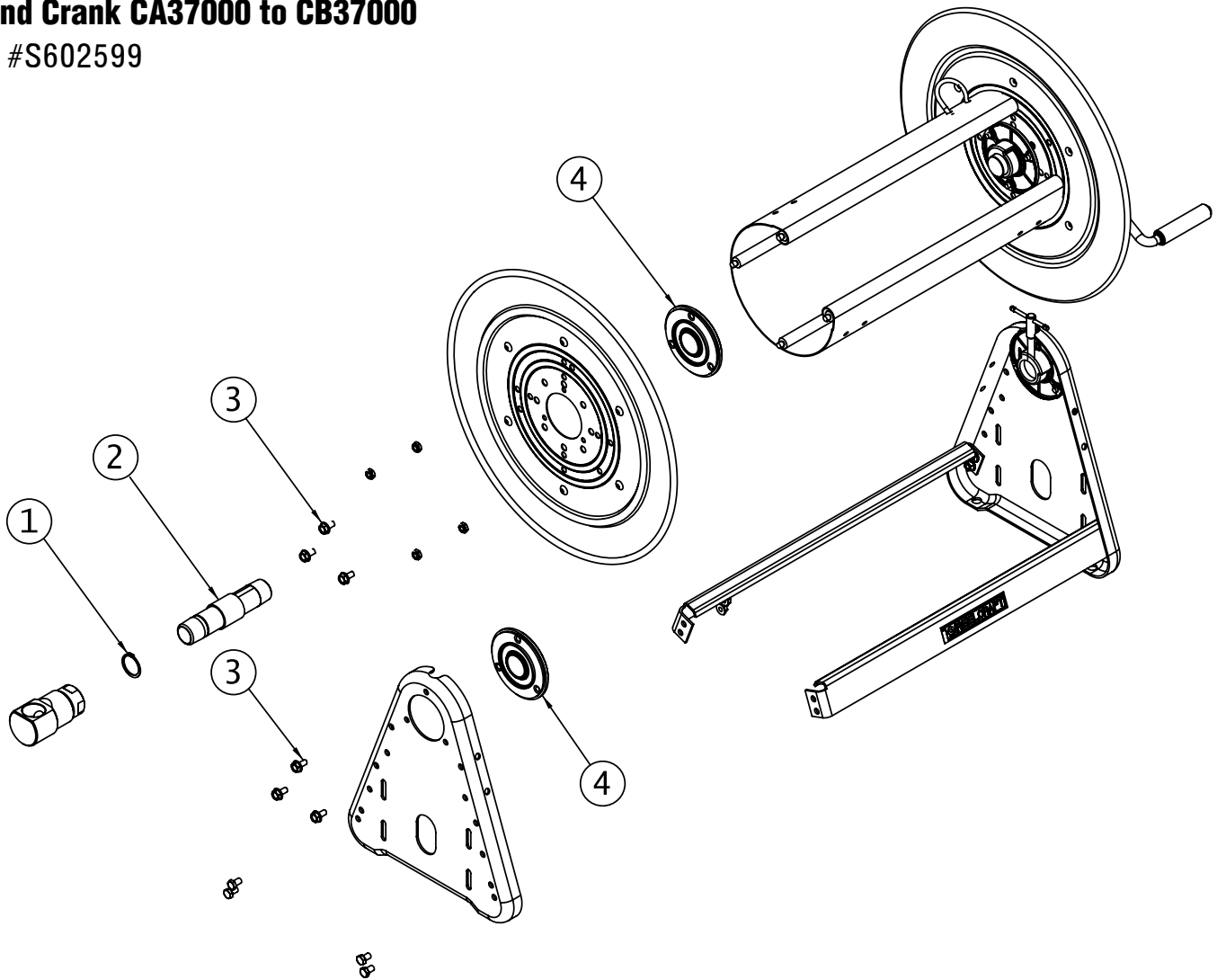
No.	Qty.	Part No.	Description
1	1	300007	Snap Ring
2	1	262658	Main Shaft
3	6	S317-31	Self Tapping Screw
4	2	602588	Hub & Bearing Assembly

Form # TB0037 Rev: 9/2013

Changes made to the design of BA/CA/EA37000 reels include: deletion of self-aligning bearing in favor of fixed oil lite bearing as well as changes to shaft, bearing and hub. For full backwards compatibility, user requires kit detailed in this tech bulletin.

## Hand Crank CA37000 to CB37000

Kit #S602599



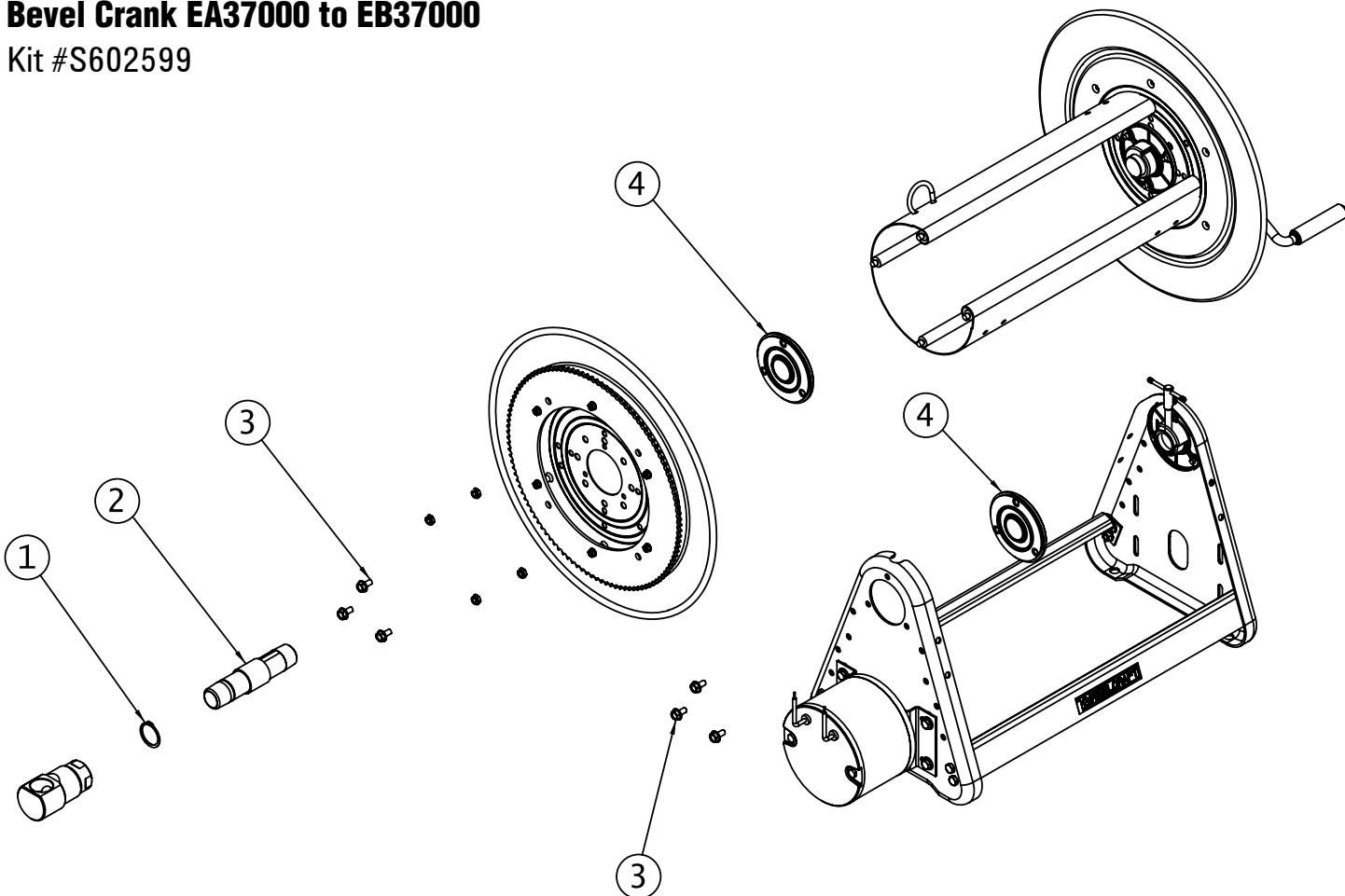
### Parts included in kit

No.	Qty.	Part No.	Description
1	1	300007	Snap Ring
2	1	262658	Main Shaft
3	6	S317-31	Self Tapping Screw
4	2	602588	Hub & Bearing Assembly

Changes made to the design of BA/CA/EA37000 reels include: deletion of self-aligning bearing in favor of fixed oil lite bearing as well as changes to shaft, bearing and hub. For full backwards compatibility, user requires kit detailed in this tech bulletin.

### Bevel Crank EA37000 to EB37000

Kit #S602599



#### Parts included in kit

No.	Qty.	Part No.	Description
1	1	300007	Snap Ring
2	1	262658	Main Shaft
3	6	S317-31	Self Tapping Screw
4	2	602588	Hub & Bearing Assembly