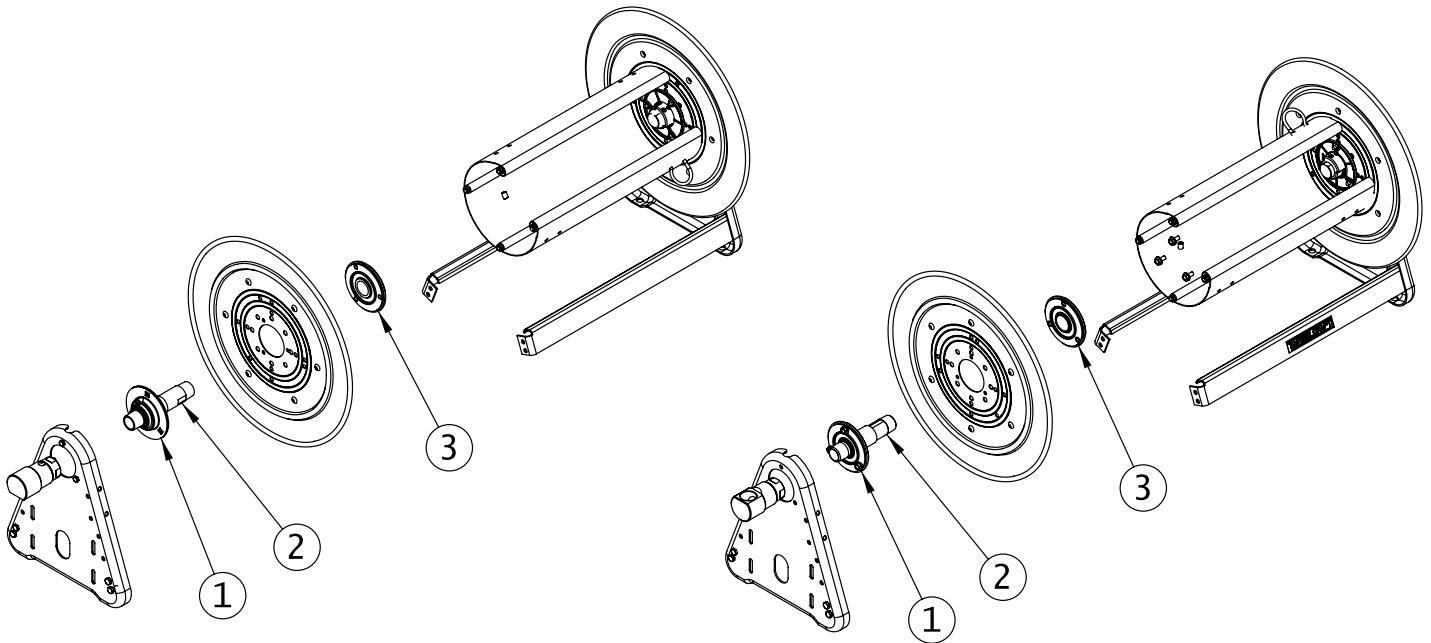


Tech Bulletin

Series 37000 Design Improvement: BA/CA/EA37000 to BB/CB/EB37000



Series A

Series B

Series A

1. 600800 - Universal self aligning bearing
2. 261600 - Inlet shaft
3. 602105 - Hub and ring assembly

Series B

1. 602588 - Hub and bearing assembly
2. 262658 - Inlet shaft
3. 602588 - Hub and bearing assembly

New design eliminates possible bearing misalignment due to heavy vibration in mobile applications by replacing the self-aligning bearing in favor of a static oil lite bearing.

Form # TB0039 Rev: 11/2013