

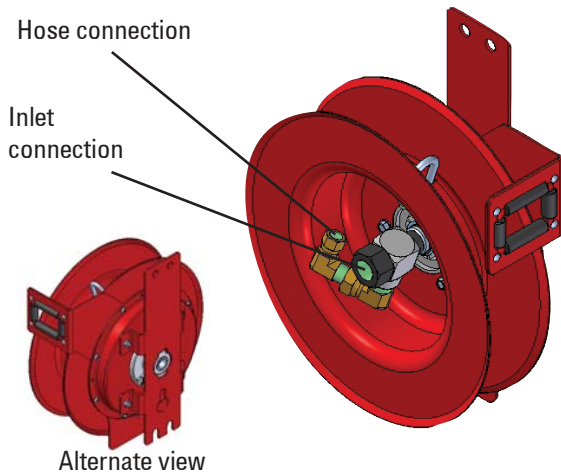
Tech Bulletin

Changing Mount Orientation on Side Mount Reels

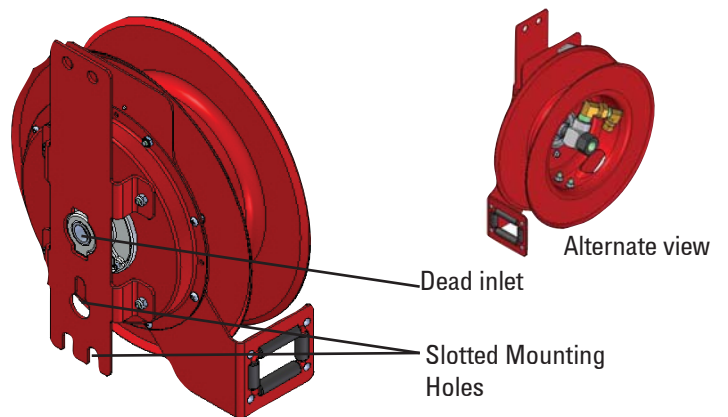
4425 OLPSMR	5450 OLPSMR	4625 OLPSMR	5650 OLPSMR	A5825 OLPSMR
A5850 OLPSMR	4425 OLPSML	5450 OLPSML	4625 OLPSML	5650 OLPSML
A5825 OLPSML	A5850 OLPSML	4400 OLPSMR	5400 OLPSMR	4600 OLPSMR
5605 OLPSMR	A5800 OLPSMR	A5805 OLPSMR	4400 OLPSML	5400 OLPSML
4600 OLPSML	5605 OLPSML	A5800 OLPSML	A5805 OLPSML	

This bulletin will explain in greater detail the process of changing a left hand side mount reel to a right hand model and vice versa.

Right Hand Orientation (Ex. 4625 OLPSMR)

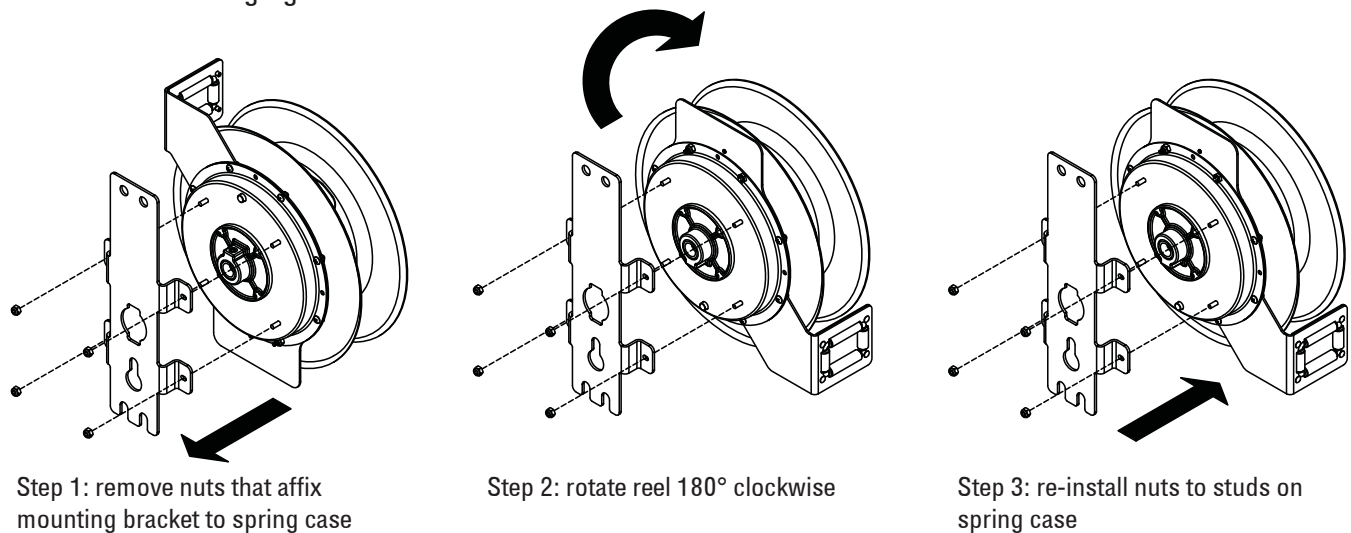


Left Hand Orientation (Ex. 4625 OLPSML)



Note: Left hand models will always pay hose out from the bottom of the spool as seen in above illustration. Correct installation requires that slotted mounting holes be located at the bottom of the bracket.

Instruction on Changing Orientation:



Form # TB0041 Rev: 1/2014