



HD76075 OLP

SERIES HD70000

Heavy Duty Spring Retractable Reels

Reels are 25% smaller than our Series 80000 reels

Redesigned latching mechanism provides longer service life of the latch components

Guide arm adjusts to seven positions

One-piece guide roller design and stainless steel pins offer greater strength and easier serviceability

Containerized drive spring offers easier handling during maintenance (size index 2 models only)

High-quality, die-cast aluminum hub and two sealed ball bearings produce a smoother spool rotation and easier operation

Heavy duty, 7 gauge all-steel base and baked-on powder coat finish produce a rugged, corrosion-resistant reel



HD76100 OLP



AIR



WATER



OIL



GREASE

I.D. Hose Sizes

1/4", 3/8", 1/2", 3/4"

Reel Accessories

Part	Part Number	Specifications
Pivot Base	S600608	340°, Color: Black
Swing Bracket	600626	Wall Mount, Color: Black
Inlet Hose	Visit reelcraft.com for more information	



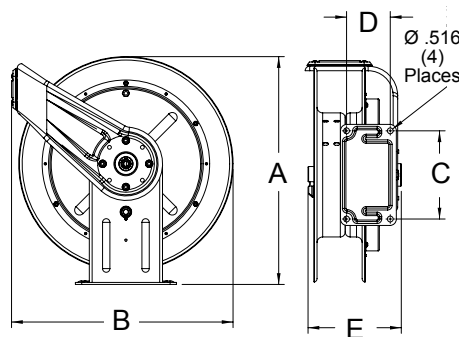
Model with Hose and Bumper	Shipping Weight		Hose I.D.		Hose O.D.		Hose Length		Max Pressure		NPT(M) Hose Outlet	NPT(F) Reel Inlet	NPT(F) Reel Outlet	Size Index #
	lbs	kg	in	mm	in	mm	ft	m	psi	bar	in	in	in	
Low Pressure Air/Water Reels Maximum Temperature 150°F (65°C) Maximum Working Pressure is at 70°F (20°C)														
HD76050 OLP	45	20	3/8	10	.600	15	50	15	300	21	1/4	1/2	1/2	1
HD76070 OLP	49	22	3/8	10	.600	15	70	21	300	21	1/4	1/2	1/2	1
HD76075 OLP	65	29	3/8	10	.600	15	75	23	300	21	1/4	1/2	1/2	2
HD76100 OLP*	75	34	3/8	10	.600	15	100	30	300	21	1/4	1/2	1/2	2
HD78050 OLP	49	22	1/2	13	.750	19	50	15	300	21	3/8	1/2	1/2	1
HD78075 OLP	73	33	1/2	13	.750	19	75	23	300	21	3/8	1/2	1/2	2
Medium Pressure Oil Reels Maximum Temperature 210°F (99°C)														
HD76075 OMP	85	39	3/8	10	.690	18	75	23	2600	179	3/8	1/2	1/2	1
HD78050 OMP	59	27	1/2	13	.820	21	50	15	3000	207	1/2	1/2	1/2	1
HD78065 OMP	78	35	1/2	13	.820	21	65	20	3000	207	1/2	1/2	1/2	2
High Pressure Grease Reels Maximum Temperature 210°F (99°C)														
HD74075 OHP	80	36	1/4	6	.580	15	75	23	5000	345	1/4	1/2	3/8	2
HD74100 OHP	86	39	1/4	6	.580	15	100	30	5000	345	1/4	1/2	3/8	2
HD76075 OHP	90	41	3/8	10	.730	19	75	23	4800	331	1/4	1/2	3/8	2

*Most popular models | Low pressure reels supplied with PVC hose. Medium pressure reels supplied with S.A.E. 100R1-AT (3/8") or S.A.E. 100R17 (1/2") one wire braid hose. High pressure reels supplied with S.A.E. 100 R2T two wire braid hose.

Model without Hose and Bumper	Shipping Weight		Hose Capacity					Max Pressure		NPT(F) Reel Inlet	NPT(F) Reel Outlet	Size Index #	
	lbs	kg	Hose I.D.		Hose O.D.		Hose Length		psi	bar	in		in
Low Pressure Air/Water Reels Maximum Temperature 210°F (99°C)													
HD76005 OLP	56	25	3/8	10	.600	15	100	30	500	35	1/2	1/2	2
HD78005 OLP	58	26	1/2	13	.750	19	75	23	500	35	1/2	1/2	2
Medium Pressure Oil Reels Maximum Temperature 210°F (99°C)													
HD76005 OMP	61	28	3/8	10	.690	18	75	23	3000	207	1/2	1/2	2
HD78005 OMP	58	26	1/2	13	.820	21	65	20	3000	207	1/2	1/2	2
High Pressure Grease Reels Maximum Temperature 210°F (99°C)													
HD74005 OHP	60	27	1/4	6	.580	15	100	30	5000	345	1/2	3/8	2
HD76005 OHP	60	27	3/8	10	.730	19	75	23	5000	345	1/2	3/8	2

Dimensions - Size Index

	1		2	
	in	mm	in	mm
A	20 ¼	514	20 ¼	514
B	19 ¾	502	19 ¾	502
C	7 13/16	198	7 13/16	198
D	3 7/8	98	3 7/8	98
E	7	178	8 ½	216



Additional Models Available for:



CORD



WELDING



STAINLESS STEEL FLUID PATH



Interactive Reel Catalog

